

# Itap Ball valve brass nickel plated 3/4" female thread 40bar type K80 (0401218)



# TECHNICAL SPECIFICATIONS

Type K80

Material brass

Surface treatment nickel plated

Operation lever

Colour lever red

Handle material steel

Housing construction 2-part

Ball material hard chrome plated brass

Material housing brass

Material seal PTFE

Connection female thread

Max. temperature 150 °C

Minimum medium temperature -20 °C  
(continuous)

Flow full

Size 3/4"

Pressure 40 bar

# DIMENSIONS

Ct-1 58 mm

F-1 16.3 mm

F-2 16.3 mm

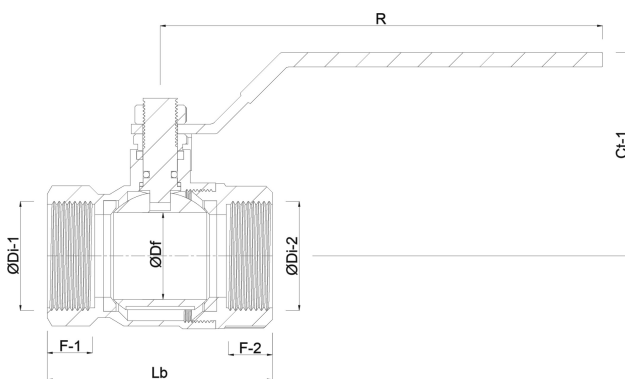
Lb 80 mm

R 113 mm

ØDf 20 mm

ØDi-1 3/4 "

ØDi-2 3/4 "



**Last modified date: 23/05/2026**

Bosta UK Ltd.  
Reflection House  
Olding Road  
Bury St. Edmunds  
Suffolk

IP33 3TA  
T +44 (0) 1284 716580  
E [enquiries@bosta.co.uk](mailto:enquiries@bosta.co.uk)  
<http://www.bosta.com>