

**VIR Ball valve PP 1/2" female
thread 16bar DN15 black type
220 (0401582)**

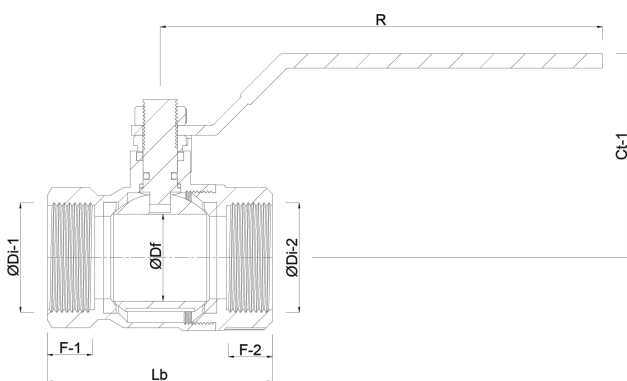


TECHNICAL SPECIFICATIONS

| | |
|----------------------|-----------------------------|
| Colour | black |
| Type | 220 |
| Material | PP |
| Operation | lever |
| Colour lever | red |
| Handle material | fibreglass reinforced nylon |
| Housing construction | 1-part |
| Ball material | hard chrome plated brass |
| Material housing | PP |
| Material seal | PTFE |
| Connection | female thread |
| Temperature range | 0°C - 75°C |
| Pressure | 16 bar |
| Size | 1/2" |
| DN | 15 |

DIMENSIONS

| | |
|-------|---------|
| Ct-1 | 55 mm |
| F-1 | 15.5 mm |
| F-2 | 15.5 mm |
| Lb | 61 mm |
| R | 102 mm |
| ØDf | 15 mm |
| ØDi-1 | 1/2 " |
| ØDi-2 | 1/2 " |



Last modified date: 23/05/2026

Bosta UK Ltd.
 Reflection House
 Olding Road
 Bury St. Edmunds
 Suffolk
 IP33 3TA
 T +44 (0) 1284 716580
 E enquiries@bosta.co.uk
<http://www.bosta.com>