

**Profec Blind flange PVC-U  
DN100 x 110 mm DIN flange  
16bar DN100 grey PN10/16  
(0111027)**



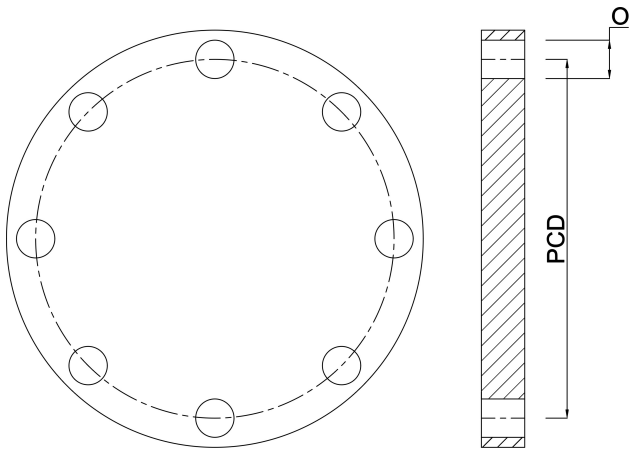
# TECHNICAL SPECIFICATIONS

Colour	grey
Material	PVC-U
Connection	DIN flange
Size	DN100 x 110 mm
Bolt	M16
Packaging	18 pcs
DN	100
Flange	PN10/16
Outer ø	220 mm
Weight	0.766 kg
Length bolt	100 mm
Thickness	22 mm
Pressure	16 bar
Bolt hole	18 mm
Holes	8

## DIMENSIONS

O	18 mm
---	-------

PCD	180 mm
-----	--------



## PRODUCT INFORMATION

For PCD, bolt hole size and number see Technical specifications "How to identify a flange" at the back of the catalogue (PCD equals K)

**Last modified date: 23/05/2026**

Bosta UK Ltd.  
Reflection House  
Olding Road  
Bury St. Edmunds  
Suffolk  
IP33 3TA  
T +44 (0) 1284 716580  
E [enquiries@bosta.co.uk](mailto:enquiries@bosta.co.uk)  
<http://www.bosta.com>