

**Grundfos Multi-stage  
centrifugal pump stainless  
steel DN35 DIN flange 6,3A  
400VAC type CRI 5-20 A FGJ I V  
HQQV (7039744)**



GRUNDFOS 

# TECHNICAL SPECIFICATIONS

Material stainless steel

Shaft stainless steel 316

Pump body stainless steel 316

Material impeller 1 stainless steel 304

Connection DIN flange

Voltage 400VAC

Temperature range -20°C - 90°C

Maximum ambient temperature 40 °C

Minimum ambient temperature 0 °C

Type CRI 5-20 A FGJ I V HQQV

Output Power 4 HP

Max. head 140 m

Size DN35

Power 3 kW

Impellers 20

Ampere 6,3 A

Max flow rate 8.5 m<sup>3</sup>/h

Efficiency 87,1 %

Press 35

Motor RPM 2770

## DIMENSIONS

Cb-1 75 mm

Cb-2 75 mm

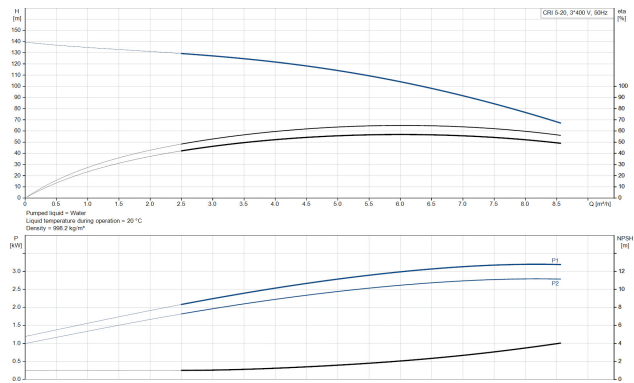
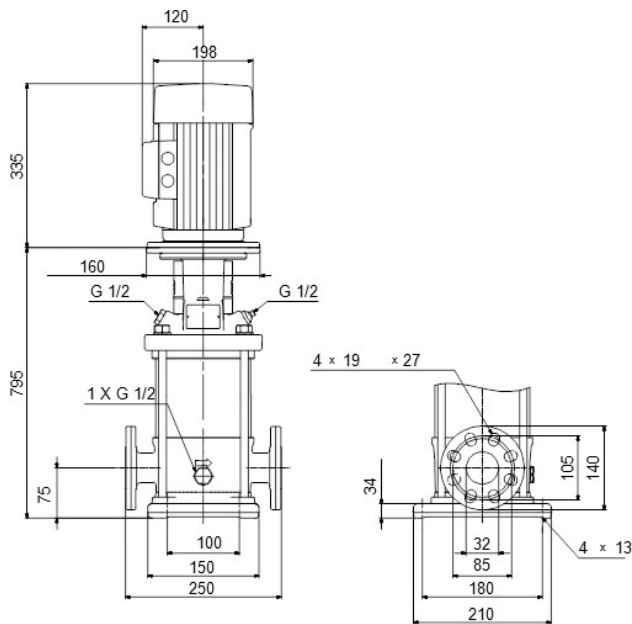
H-1 1130 mm

L 250 mm

W-1 210 mm

ØDi-1 35 mm

ØDi-2 35 mm



## PRODUCT INFORMATION

Grundfos CRI pumps are vertical, non-self-priming, multistage, in-line, centrifugal pumps for installation in pipe systems and mounting on a foundation, suitable for industrial applications. This design provides a more compact pump design and pipework. CR pumps are designed for a variety of applications ranging from the pumping of potable water to the pumping of chemicals. The pumps are therefore suitable for a wide range of pumping systems where the performance and material of the pump meet specific demands.

**Last modified date: 27/05/2026**

Bosta UK Ltd.  
 Reflection House  
 Olding Road  
 Bury St. Edmunds  
 Suffolk  
 IP33 3TA  
 T +44 (0) 1284 716580  
 E [enquiries@bosta.co.uk](mailto:enquiries@bosta.co.uk)  
<http://www.bosta.com>