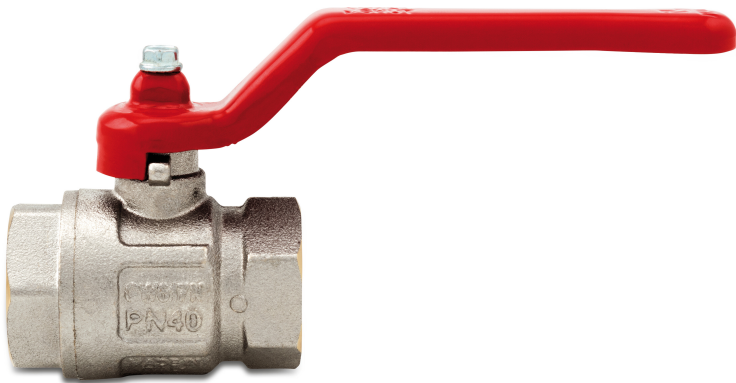


Itap Ball valve brass nickel plated 2" female thread 25bar type 090 (0402318)



TECHNICAL SPECIFICATIONS

Type 090

Material brass

Surface treatment nickel plated

Operation lever

Colour lever red

Handle material steel

Ball material hard chrome plated brass

Material housing brass

Material seal PTFE

Connection female thread

Max. temperature 150 °C

Minimum medium temperature -20 °C
(continuous)

Flow full

Size 2"

Pressure 25 bar

DIMENSIONS

Ct-1 96 mm

F-1 20.5 mm

F-2 22 mm

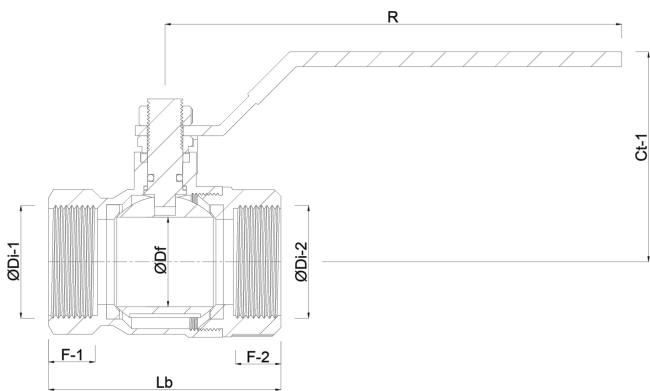
Lb 112,5 mm

R 157.8 mm

ØDf 50 mm

ØDi-1 2 "

ØDi-2 2 "



Last modified date: 07/03/2026

Bosta UK Ltd.
Reflection House
Olding Road
Bury St. Edmunds

Suffolk
IP33 3TA
T +44 (0) 1284 716580
E enquiries@bosta.co.uk
<http://www.bosta.com>