

**Ball valve PVC-U 2" female
thread 10bar DN50 grey type
AK (0161515)**



TECHNICAL SPECIFICATIONS

Colour grey

Type AK

Material PVC-U

Operation lever

Colour lever red

Handle material PVC-U

Housing construction 3-part

Material housing PVC-U

Material seal PE/EPDM

Connection female thread

Max. temperature 60 °C

Minimum medium temperature 0 °C
(continuous)

Pressure 10 bar

Size 2"

DN 50

DIMENSIONS

Ct-1 111 mm

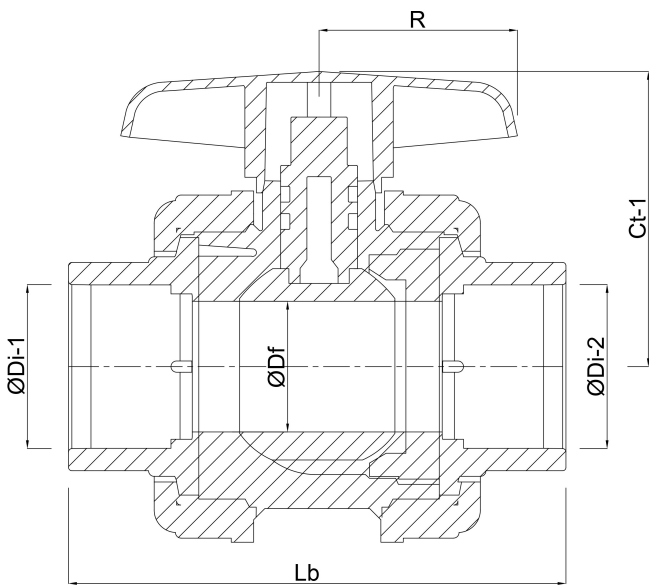
Lb 168 mm

R 62 mm

ØDf 50 mm

ØDi-1 2 "

ØDi-2 2 "



Last modified date: 07/03/2026

Bosta UK Ltd.
Reflection House
Olding Road
Bury St. Edmunds

Suffolk
IP33 3TA
T +44 (0) 1284 716580
E enquiries@bosta.co.uk
<http://www.bosta.com>