

# Hayward Sand filter HDPE 1 1/2" female thread 2bar grey type S240TIE (7018907)



 **HAYWARD**

# TECHNICAL SPECIFICATIONS

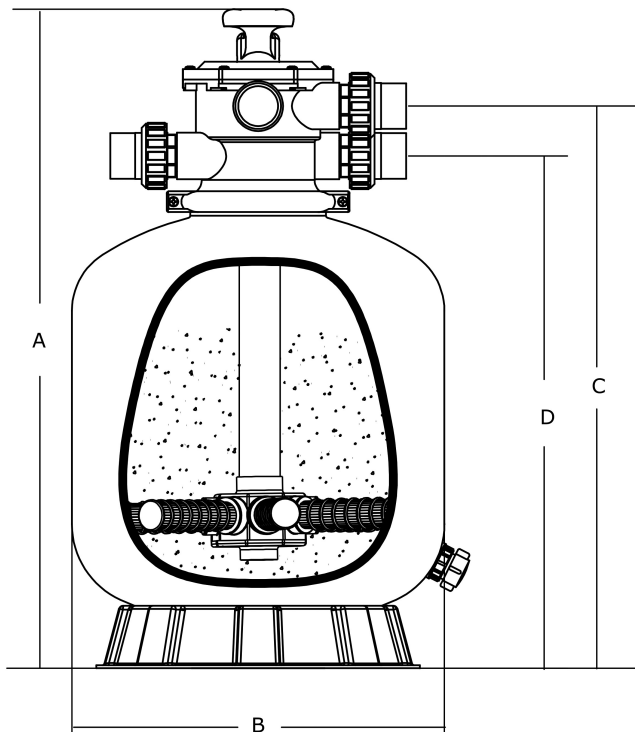
|                |                      |
|----------------|----------------------|
| Colour         | grey                 |
| Material       | HDPE                 |
| Connection     | female thread        |
| Pressure       | 2 bar                |
| Max. temp.     | 35 °C                |
| Type           | S240TIE              |
| Size           | 1 1/2"               |
| Diameter       | 600 mm               |
| Weight         | 15 kg                |
| Sand           | 125 kg               |
| Filter area    | 0.28 m <sup>2</sup>  |
| Max flow rate  | 14 m <sup>3</sup> /h |
| Max. pool vol. | 70 m <sup>3</sup>    |

# DIMENSIONS

|   |         |
|---|---------|
| A | 1161 mm |
| B | 653 mm  |

C 1020 mm

D 960 mm



## PRODUCT INFORMATION

The economical and reliable sand filters from Hayward

- Hard wearing: polyethylene-injected, heat-fusion welded filters
- Filters particularly suitable for above-ground and small size pools (up to 70 m3)
- Wide range (6 products: 3 Side and 3 Top) to suit all private pool configurations
- Easy to maintain and use, thanks to its transparent polycarbonate screw-on cover
- Circular base for good filter seating
- Including 6-way valve
- Warranty period: Tank 5 years, valve & equipment 2 years

**Last modified date: 09/03/2026**

Bosta UK Ltd.  
Reflection House  
Olding Road  
Bury St. Edmunds  
Suffolk  
IP33 3TA  
T +44 (0) 1284 716580  
E [enquiries@bosta.co.uk](mailto:enquiries@bosta.co.uk)  
<http://www.bosta.com>