

**Itap Ball valve brass nickel  
plated 1 1/2" female thread x  
male thread 5bar DN40 DVGW  
type 067 (0401166)**



# TECHNICAL SPECIFICATIONS

Type	067
Material	brass
Surface treatment	nickel plated
Approval	DVGW
Operation	lever
Colour lever	yellow
Handle material	steel
Housing construction	2-part
Ball material	hard chrome plated brass
Material housing	brass
Material seal	PTFE
Connection	female thread x male thread
Max. temperature	60 °C
Minimum medium temperature (continuous)	-10 °C
Flow	full
Pressure	5 bar

Size 1 1/2"

DN 40

## DIMENSIONS

Ct-1 90.3 mm

F-1 21.4 mm

F-2 21.5 mm

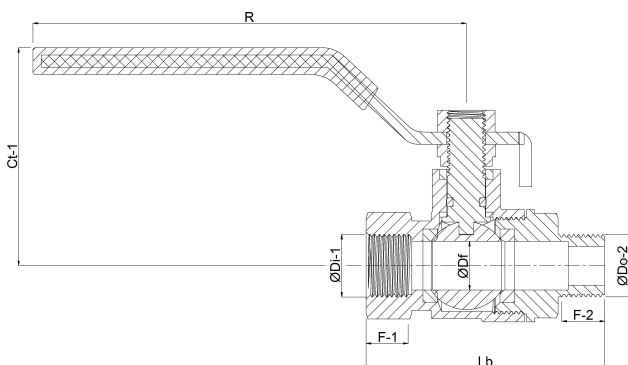
Lb 115,5 mm

R 157.8 mm

ØDf 39 mm

ØDi-1 1 1/2 "

ØDo-2 1 1/2 "



Last modified date: 23/05/2026

Bosta UK Ltd.  
Reflection House  
Olding Road  
Bury St. Edmunds  
Suffolk  
IP33 3TA  
T +44 (0) 1284 716580  
E [enquiries@bosta.co.uk](mailto:enquiries@bosta.co.uk)  
<http://www.bosta.com>