

**Profec Ball valve PVC-U 2 1/2"
female thread 10bar DN65
grey type 2050 (0111292)**



TECHNICAL SPECIFICATIONS

Colour	grey
Type	2050
Material	PVC-U
Operation	lever
Colour lever	red
Handle material	PVC-U
Housing construction	3-part
Material housing	PVC-U
Material seal	PE/EPDM
Connection	female thread
Temperature range	10°C - 60°C
Pressure	10 bar
Size	2 1/2"
DN	65

DIMENSIONS

Ct-1	149 mm
------	--------

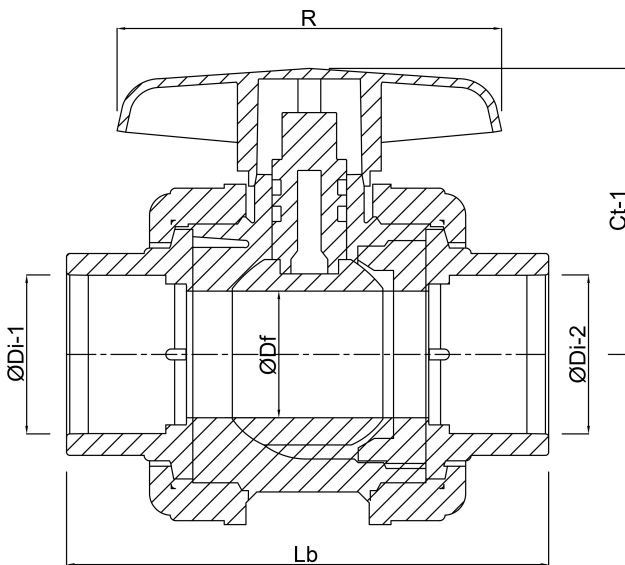
Lb 232 mm

R 184 mm

ØDf 65 mm

ØDi-1 2 1/2 "

ØDi-2 2 1/2 "



Last modified date: 23/05/2026

Bosta UK Ltd.
Reflection House
Olding Road
Bury St. Edmunds
Suffolk
IP33 3TA
T +44 (0) 1284 716580
E enquiries@bosta.co.uk
<http://www.bosta.com>