

Welding bend 90° steel 76,1 mm x 76,1 mm x 2,9 mm butt welding (1180063)



TECHNICAL SPECIFICATIONS

Material steel

Connection butt welding

DIN Standard DIN 2605

Norm 3S

Size 76,1 mm

Wall thickness 2,9 mm

DIMENSIONS

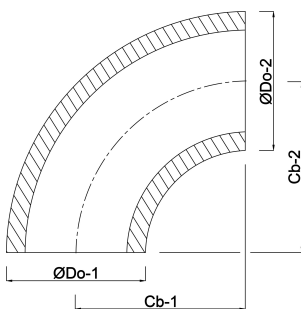
$\varnothing Do-1$ 76.1 mm

$\varnothing Do-2$ 76.1 mm

Cb-1 95 mm

Cb-2 95 mm

β 90 °



Last modified date: 05/10/2025

Bosta UK Ltd.
Reflection House
Olding Road
Bury St. Edmunds
Suffolk
IP33 3TA
T +44 (0) 1284 716580
E enquiries@bosta.co.uk
<http://www.bosta.com>