

Praher Ball valve PVC-U 40 mm glue socket 16bar grey type S6 (0111503)



**PRAHER
GROUP**

TECHNICAL SPECIFICATIONS

Colour grey

Type S6

Material PVC-U

Operation lever

Colour lever red

Handle material PVC-U

Housing construction 3-part

Material housing PVC-U

Material seal PE/EPDM

Connection glue socket

Temperature range 0°C - 60°C

Pressure 16 bar

Size 40 mm

DIMENSIONS

Ct-1 76 mm

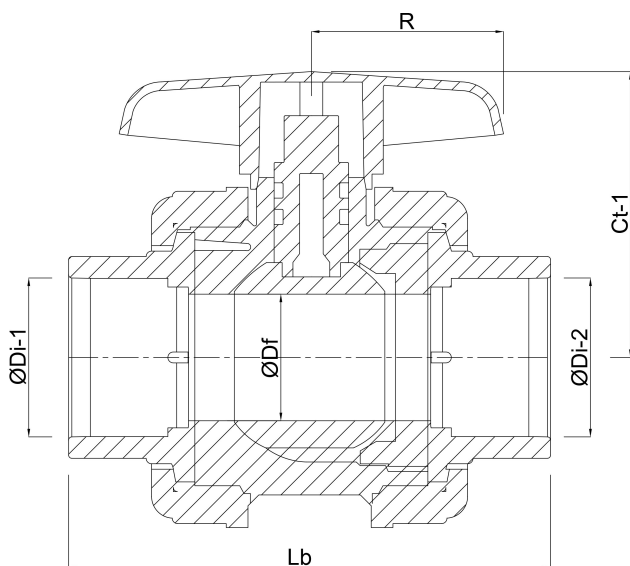
Lb 151 mm

R 65 mm

$\varnothing Df$ 32 mm

$\varnothing Di-1$ 40 mm

$\varnothing Di-2$ 40 mm



Last modified date: 23/05/2026

Bosta UK Ltd.
Reflection House
Olding Road
Bury St. Edmunds
Suffolk
IP33 3TA
T +44 (0) 1284 716580
E enquiries@bosta.co.uk
<http://www.bosta.com>