

**Profec Flange welding neck  
steel DN100 x 108,0 mm DIN  
flange x butt welding black  
PN16 (1180484)**



# TECHNICAL SPECIFICATIONS

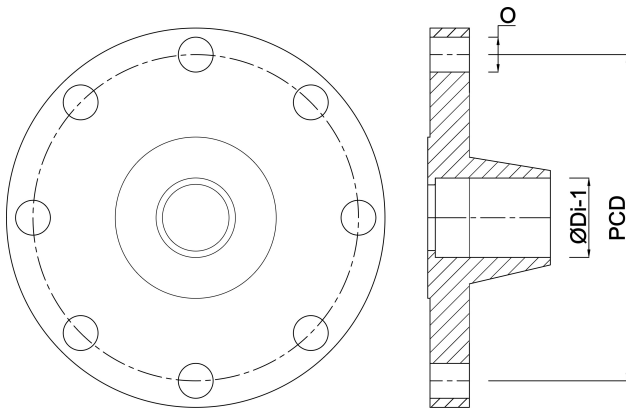
Colour	black
Material	steel
Connection	DIN flange x butt welding
DIN Standard	DIN 2633
Flange	PN16
Size	DN100 x 108,0 mm
Outer ø	220 mm
Weight	4.54 kg
Height	52 mm
Thickness	20 mm
PCD	180 mm
Bolt hole	18 mm
Holes	8

## DIMENSIONS

O	18 mm
PCD	180 mm

ØDi-1

100.8 mm



**Last modified date: 24/05/2026**

Bosta UK Ltd.  
Reflection House  
Olding Road  
Bury St. Edmunds  
Suffolk  
IP33 3TA  
T +44 (0) 1284 716580  
E [enquiries@bosta.co.uk](mailto:enquiries@bosta.co.uk)  
<http://www.bosta.com>