

Profec Ball valve brass nickel plated 1 1/4" female thread 25bar type 109 (0401572)



TECHNICAL SPECIFICATIONS

Type	109
Material	brass
Surface treatment	nickel plated
Operation	lever
Colour lever	red
Handle material	stainless steel
Housing construction	2-part
Ball material	hard chrome plated brass
Material housing	brass
Material seal	PTFE
Connection	female thread
Flow	full
Temperature range	-20°C - 120°C
Pressure	25 bar
Size	1 1/4"

DIMENSIONS

Ct-1 74.8 mm

F-1 17 mm

F-2 17 mm

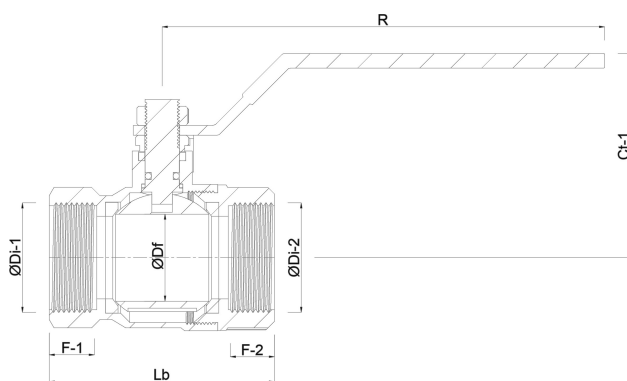
Lb 75,7 mm

R 141.3 mm

ØDf 30.5 mm

ØDi-1 1 1/4 "

ØDi-2 1 1/4 "



PRODUCT INFORMATION

With housing drain valve and frost protection.

Last modified date: 23/05/2026

Bosta UK Ltd.
Reflection House

Olding Road
Bury St. Edmunds
Suffolk
IP33 3TA
T +44 (0) 1284 716580
E enquiries@bosta.co.uk
<http://www.bosta.com>