

Flange stainless steel 316
DN32 x DN32 x 1 1/4" DIN
flange x female thread 40bar
DN32 PN40 (0080666)



TECHNICAL SPECIFICATIONS

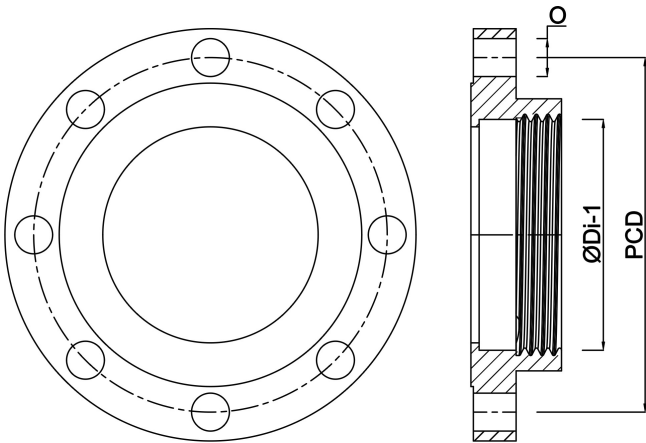
Material	stainless steel 316
Connection	DIN flange x female thread
DIN Standard	DIN 2566
Size	DN32 x DN32 x 1 1/4"
DN	32
Flange	PN40
Diameter	42,4 mm
Outer ø	140 mm
Weight	1.8 kg
Thickness	18 mm
Pressure	40 bar
Bolt hole	18 mm
Holes	4

DIMENSIONS

O	18 mm
PCD	100 mm

ØDi-1

1 1/4 "



Last modified date: 13/03/2026

Bosta UK Ltd.
Reflection House
Olding Road
Bury St. Edmunds
Suffolk
IP33 3TA
T +44 (0) 1284 716580
E enquiries@bosta.co.uk
<http://www.bosta.com>