

**Profec 2-piece ball valve  
stainless steel 316 1 1/2"  
female thread 64bar DIN3202-  
M3 (7034109)**



# TECHNICAL SPECIFICATIONS

Material stainless steel 316

Operation lever

Colour lever blue

Handle material stainless steel

Housing construction 2-part

Material housing stainless steel 316

Material seal PTFE

Connection female thread

Gasket PTFE

DIN Standard DIN3202-M3

Flow full

Temperature range -10°C - 150°C

Pressure 64 bar

Size 1 1/2"

## DIMENSIONS

Ct-1 82 mm

F-1 19 mm

F-2 19 mm

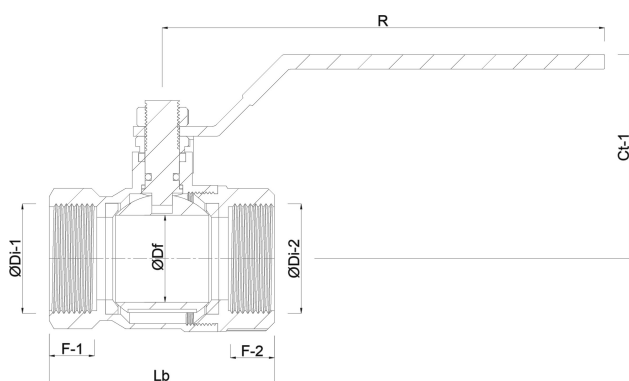
Lb 120 mm

R 145 mm

ØDf 38 mm

ØDi-1 1 1/2 "

ØDi-2 1 1/2 "



**Last modified date: 27/05/2026**

Bosta UK Ltd.  
Reflection House  
Olding Road  
Bury St. Edmunds  
Suffolk  
IP33 3TA  
T +44 (0) 1284 716580  
E [enquiries@bosta.co.uk](mailto:enquiries@bosta.co.uk)  
<http://www.bosta.com>