

**Profec Long bend 90° PVC-U 25  
mm glue socket 16bar grey  
(0110178)**

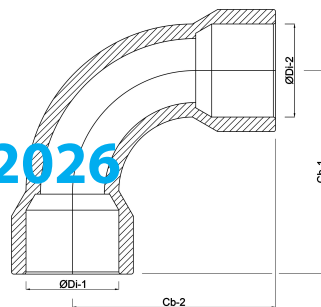


# TECHNICAL SPECIFICATIONS

Colour	grey
Material	PVC-U
Connection	glue socket
Pressure	16 bar
Size	25 mm

## DIMENSIONS

Cb-1	69 mm
Cb-2	69 mm
Mold	injection moulded
ØDi-1	25 mm
ØDi-2	25 mm
β	90 °



Last modified date: 13/03/2026

Bosta UK Ltd.  
Reflection House  
Olding Road  
Bury St. Edmunds  
Suffolk  
IP33 3TA  
T +44 (0) 1284 716580  
E [enquiries@bosta.co.uk](mailto:enquiries@bosta.co.uk)  
<http://www.bosta.com>