

**Sand filter fibreglass-
reinforced PP 50 mm x 1 1/2"
glue socket x female thread
1,8bar grey type QS500 SM
(7043153)**



TECHNICAL SPECIFICATIONS

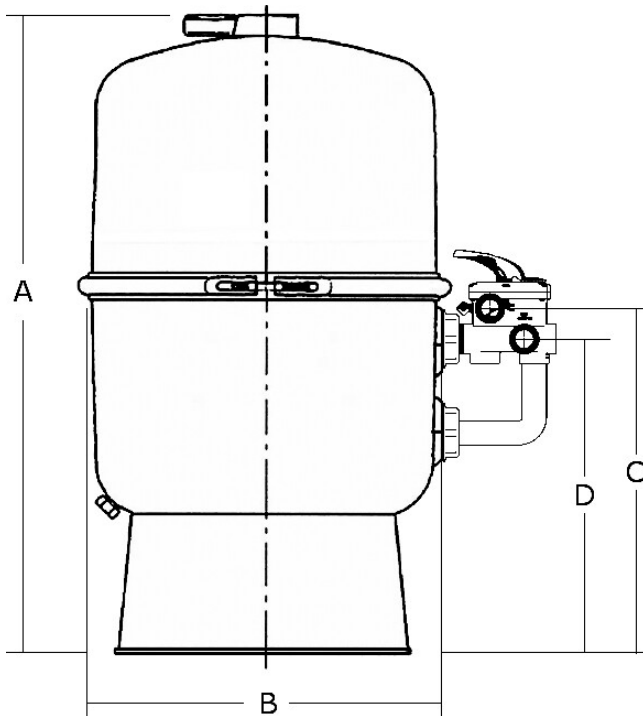
Colour	grey
Material	fibreglass-reinforced PP
Connection	glue socket x female thread
Pressure	1,8 bar
Max. temp.	40 °C
Type	QS500 SM
Capacity	12 m ³ /h
Size	50 mm x 1 1/2"
Diameter	547 mm
Weight	35 kg
Sand	90 kg
Filter area	0.24 m ²
Max. pool vol.	70 m ³

DIMENSIONS

A	825 mm
B	547 mm

C 402 mm

D 300 mm



PRODUCT INFORMATION

The 2pcs style QS sand filter is ideal for all common larger sized private pools. The upper half of the filter can be completely removed which makes it extremely convenient for changing sand. With 40 years manufacture experience, QS filter delivers absolute premium quality.

Features:

- High quality fiberglass reinforced polyester filter tank and stainless steel ring
- Praher 6-way valve included
- Ideal for all common sizes of private pools
- UV resistant
- With air vent plug and drain plug

Last modified date: 11/03/2026

Bosta UK Ltd.
Reflection House
Olding Road
Bury St. Edmunds
Suffolk
IP33 3TA
T +44 (0) 1284 716580
E enquiries@bosta.co.uk
<http://www.bosta.com>