

**Profec Backing ring PP 160 mm
10bar DN150 black PN10/16
(0101394)**



TECHNICAL SPECIFICATIONS

Colour black

Material PP

Size 160 mm

Packaging 5 pcs

DN 150

Inner ø 190 mm

Flange PN10/16

Outer ø 285 mm

Thickness 30 mm

Pressure 10 bar

Bolt hole 22 mm

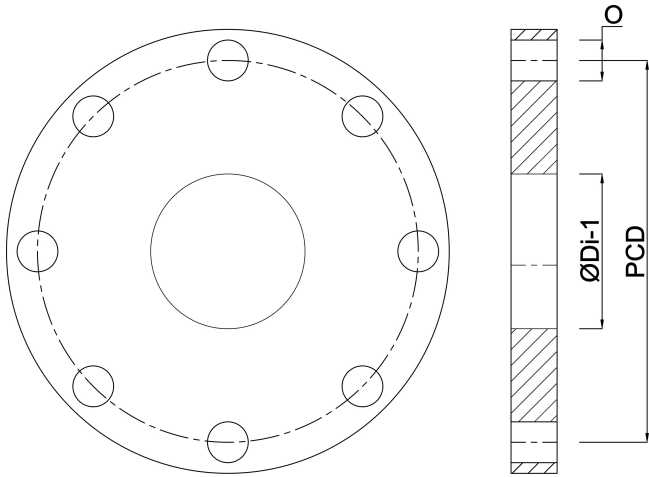
Holes 8

DIMENSIONS

O 22 mm

PCD 240 mm

ØDi-1 190 mm



Last modified date: 13/03/2026

Bosta UK Ltd.
Reflection House
Olding Road
Bury St. Edmunds
Suffolk
IP33 3TA
T +44 (0) 1284 716580
E enquiries@bosta.co.uk
<http://www.bosta.com>