

**Drainage reducer T-piece 45°
PVC-U 315 mm x 250 mm x 315
mm SN4 ring seal grey
KOMO/BENOR (0360286)**

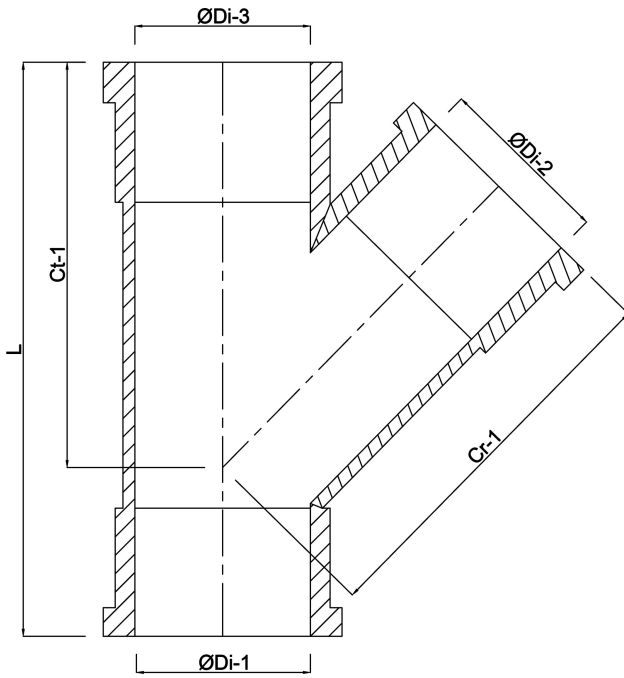


TECHNICAL SPECIFICATIONS

Colour	grey
Material	PVC-U
Approval	KOMO/BENOR
Connection	ring seal
Size	315 mm x 250 mm x 315 mm
SN	SN4

DIMENSIONS

Cr-1	480 mm
Ct-1	515 mm
L	725 mm
ØDi-1	315 mm
ØDi-2	250 mm
ØDi-3	315 mm
β	45 °



Last modified date: 23/05/2026

Bosta UK Ltd.
Reflection House
Olding Road
Bury St. Edmunds
Suffolk
IP33 3TA
T +44 (0) 1284 716580
E enquiries@bosta.co.uk
<http://www.bosta.com>