

Profec Backing ring PVC-U 6" 16bar grey PN10 (7028082)



TECHNICAL SPECIFICATIONS

Colour grey

Material PVC-U

Pressure 16 bar

Size 6"

Packaging 10 pcs

Inner ø 198 mm

Flange PN10

Outer ø 285 mm

Weight 0.923 kg

Thickness 28 mm

Bolt hole 22 mm

Holes 8

DIMENSIONS

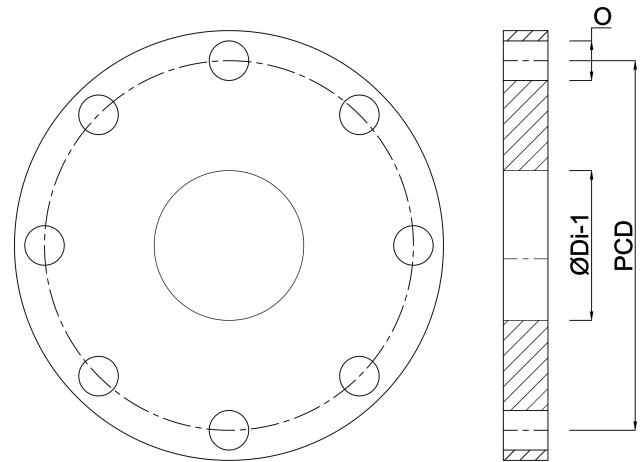
Db 285 mm

O 22 mm

PCD 240 mm

ØDi-1

198 mm



Last modified date: 26/05/2026

Bosta UK Ltd.
Reflection House
Olding Road
Bury St. Edmunds
Suffolk
IP33 3TA
T +44 (0) 1284 716580
E enquiries@bosta.co.uk
<http://www.bosta.com>