

**Backing ring PP/steel PP 355
mm SDR11 16bar DN350 black
PN10 (7031734)**



TECHNICAL SPECIFICATIONS

Colour black

Material PP/steel

Surface treatment PP

Class SDR11

Pressure 16 bar

Size 355 mm

DN 350

Flange PN10

Outer ø 515 mm

Weight 14.6 kg

Thickness 42 mm

Bolt hole 22.5 mm

Holes 6

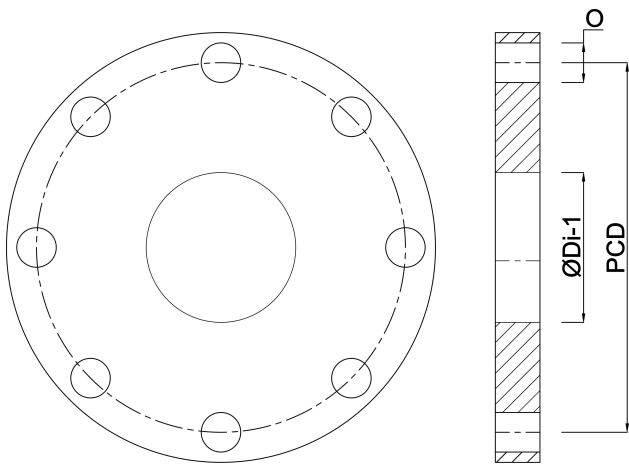
DIMENSIONS

O 22.5 mm

PCD 460 mm

ØDi-1

376 mm



Last modified date: 22/05/2026

Bosta UK Ltd.
Reflection House
Olding Road
Bury St. Edmunds
Suffolk
IP33 3TA
T +44 (0) 1284 716580
E enquiries@bosta.co.uk
<http://www.bosta.com>