

# VDL Flange adaptor PVC-U 225 mm glue socket 10bar DN200 grey PN10 type A (7002897)



**V-L** Van de Lande

# TECHNICAL SPECIFICATIONS

Colour grey

Material PVC-U

DIN Standard DIN 2501

Flange PN10

Pressure 10 bar

Type A

Size 225 mm

Connection glue socket

Packaging 3 pcs

DN 200

Outer ø 119 mm

Thickness 36 mm

Bolt hole 22 mm

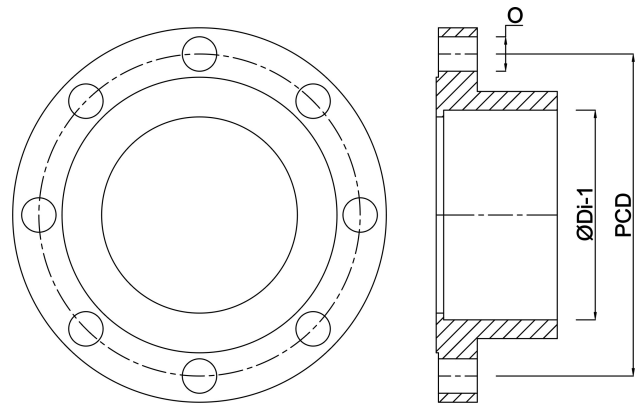
Holes 8

## DIMENSIONS

O 22 mm

PCD 295 mm

ØDi-1 225 mm



**Last modified date: 24/05/2026**

Bosta UK Ltd.  
Reflection House  
Olding Road  
Bury St. Edmunds  
Suffolk  
IP33 3TA  
T +44 (0) 1284 716580  
E [enquiries@bosta.co.uk](mailto:enquiries@bosta.co.uk)  
<http://www.bosta.com>