

**Profec Gate valve cast iron GG
25 varnished DN250 DIN flange
10bar DN250 black PN10 type
200 (0400768)**



TECHNICAL SPECIFICATIONS

Colour	black
Type	200
Material	cast iron GG 25
Surface treatment	varnished
Operation	handwheel
Colour lever	black
Handle material	cast iron
Material valve	cast iron
Material spindle	stainless steel
Seat material	brass
Material housing	cast iron GG 25
Material seal	brass
Connection	DIN flange
Max. temperature	100 °C
Flange according to DIN	DIN 2501/PN10
Pressure	10 bar
Size	DN250

Length 250 mm

Flange PN10

Outer ø 395 mm

PCD 350 mm

Holes 12

DIMENSIONS

Construction length din 3352/2c/f4

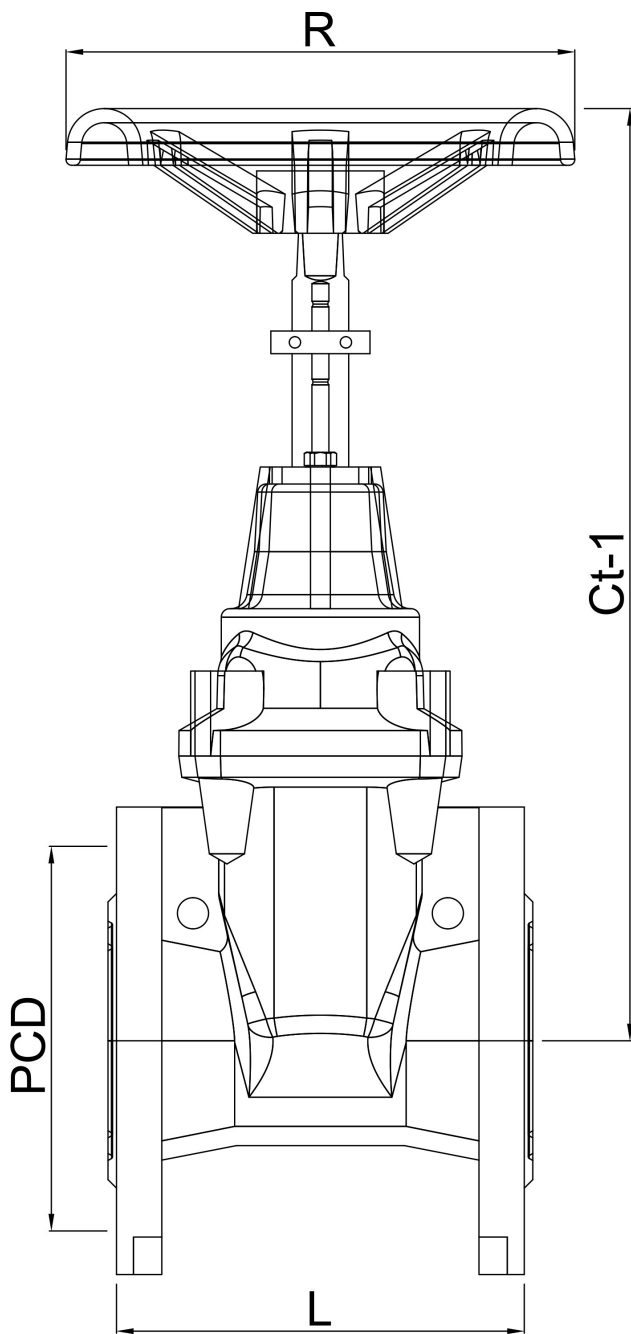
Ct-1 638 mm

L 250 mm

L 250 mm

PCD 350 mm

R 320 mm



Last modified date: 23/05/2026

Bosta UK Ltd.
Reflection House
Olding Road
Bury St. Edmunds

Suffolk
IP33 3TA
T +44 (0) 1284 716580
E enquiries@bosta.co.uk
<http://www.bosta.com>