

**DAB Multi-stage centrifugal
pump stainless steel DN65
flange 18.7A 400VAC type NKV
32/5-2 T (7043207)**



TECHNICAL SPECIFICATIONS

Material	stainless steel
----------	-----------------

Connection	flange
------------	--------

Type	NKV 32/5-2 T
------	--------------

Output Power	15 HP
--------------	-------

Size	DN65
------	------

Voltage	400VAC
---------	--------

Power	11 kW
-------	-------

Ampere	18.7 A
--------	--------

DIMENSIONS

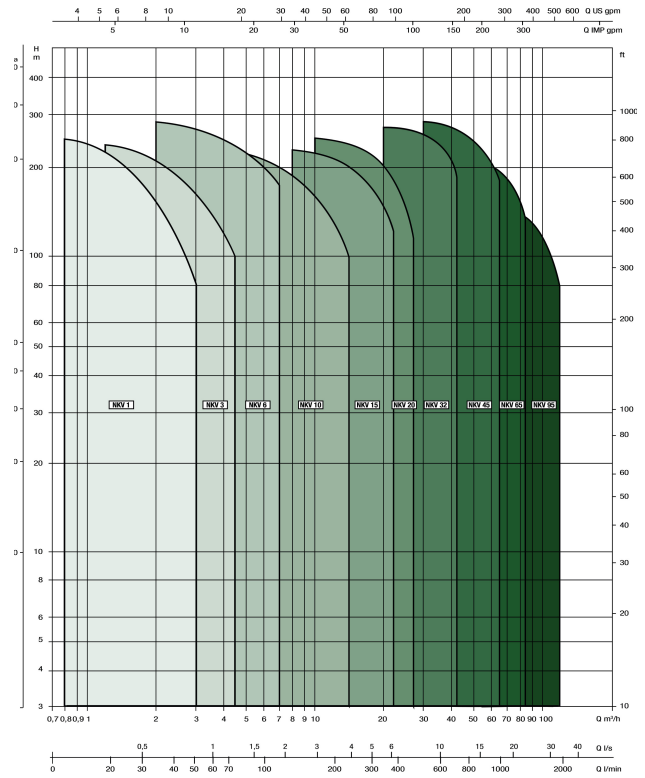
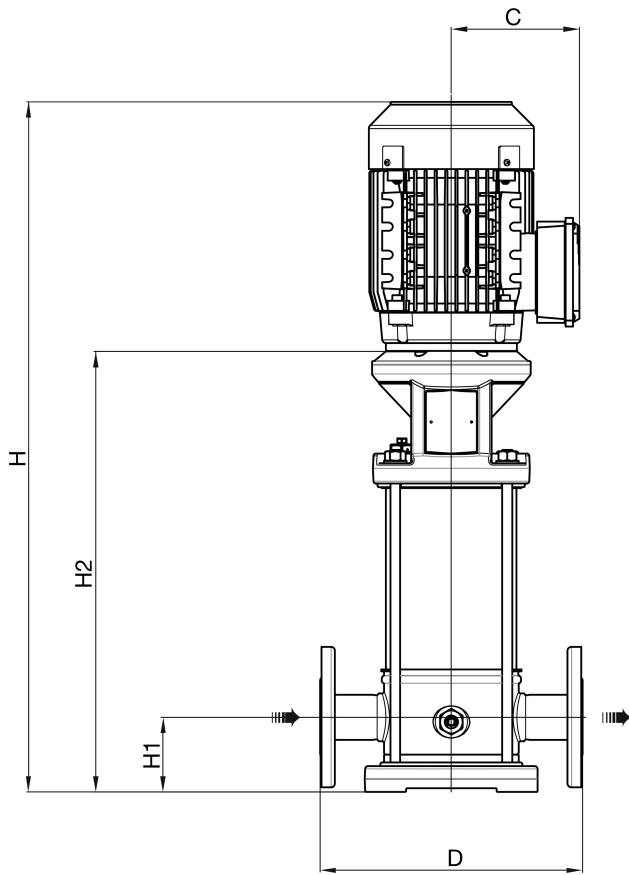
C	242 mm
---	--------

D	320 mm
---	--------

H	1427 mm
---	---------

H-1	105 mm
-----	--------

H-2	990 mm
-----	--------



Last modified date: 27/05/2026

Bosta UK Ltd.
 Reflection House
 Olding Road
 Bury St. Edmunds
 Suffolk
 IP33 3TA
 T +44 (0) 1284 716580
 E enquiries@bosta.co.uk
<http://www.bosta.com>