

Profec Ball valve PVC-U 90 mm glue socket 10bar DN80 grey type 2000 (0111383)



TECHNICAL SPECIFICATIONS

Colour grey

Type 2000

Material PVC-U

Operation lever

Colour lever red

Handle material PVC-U

Housing construction 3-part

Material housing PVC-U

Material seal PE/EPDM

Connection glue socket

Temperature range 10°C - 60°C

Size 90 mm

DN 80

Pressure 10 bar

DIMENSIONS

Ct-1 165 mm

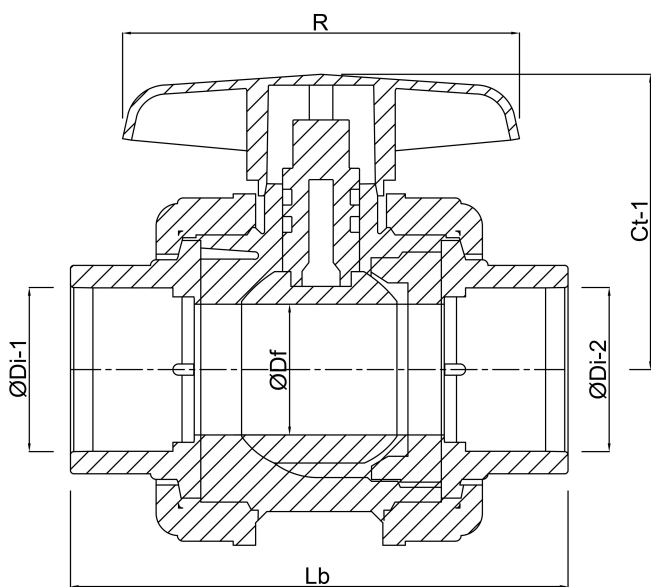
Lb 269 mm

R 215 mm

ØDf 80 mm

ØDi-1 90 mm

ØDi-2 90 mm



Last modified date: 07/03/2026

Bosta UK Ltd.
Reflection House
Olding Road
Bury St. Edmunds
Suffolk
IP33 3TA
T +44 (0) 1284 716580
E enquiries@bosta.co.uk
<http://www.bosta.com>