

# Profec Backing ring PVC-U 25 mm 16bar DN20 grey PN10/16 (0110919)



# TECHNICAL SPECIFICATIONS

Colour grey

Material PVC-U

Suitable for 0110899

Suitable for

Size 25 mm

Bolt M12x70

Packaging 150 pcs

DN 20

Inner ø 34 mm

Flange PN10/16

Outer ø 107 mm

Weight 0.085 kg

Thickness 12 mm

Pressure 16 bar

Bolt hole 14 mm

Holes 4

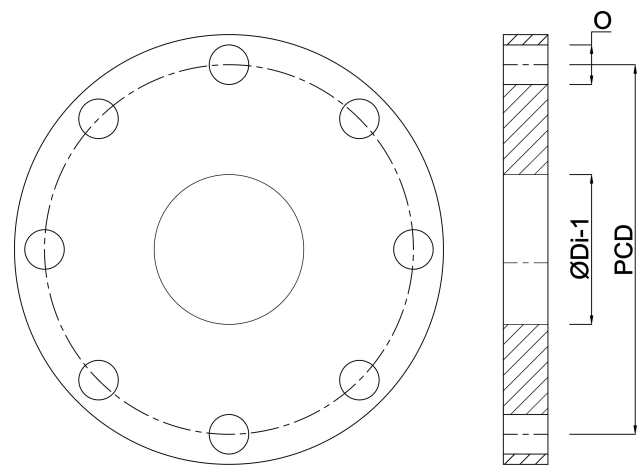
# DIMENSIONS

Db 107 mm

O 14 mm

PCD 75 mm

ØDi-1 34 mm



**Last modified date: 23/05/2026**

Bosta UK Ltd.  
Reflection House  
Olding Road  
Bury St. Edmunds  
Suffolk  
IP33 3TA  
T +44 (0) 1284 716580  
E [enquiries@bosta.co.uk](mailto:enquiries@bosta.co.uk)  
<http://www.bosta.com>