

VDL Backing ring PVC-U 140 mm 10bar DN125 grey type A (7002880)



VL Van de Lande

TECHNICAL SPECIFICATIONS

Colour grey

Material PVC-U

Type A

Size 140 mm

Packaging 15 pcs

DN 125

Inner ø 167 mm

Outer ø 250 mm

Thickness 26 mm

Pressure 10 bar

Bolt hole 18 mm

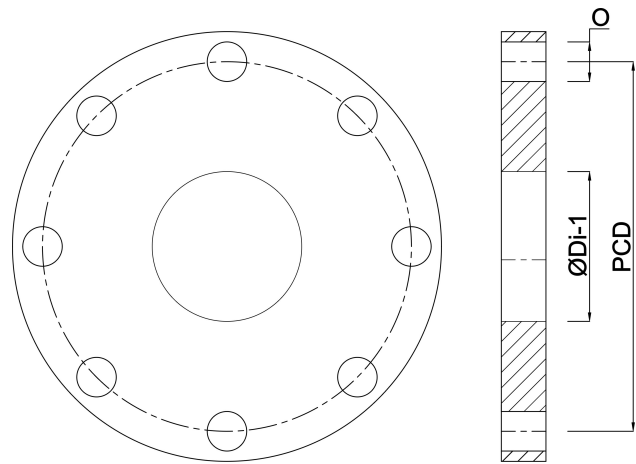
Holes 8

DIMENSIONS

O 18 mm

PCD 210 mm

ØDi-1 167 mm



Last modified date: 24/05/2026

Bosta UK Ltd.
Reflection House
Olding Road
Bury St. Edmunds
Suffolk
IP33 3TA
T +44 (0) 1284 716580
E enquiries@bosta.co.uk
<http://www.bosta.com>