

**Profec Ball valve PVC-U 1 1/2"
imperial glue socket 10bar
white type Imperial 2000
(0169996)**



TECHNICAL SPECIFICATIONS

Colour	white
Type	Imperial 2000
Material	PVC-U
Operation	lever
Colour lever	red
Handle material	PVC-U
Housing construction	3-part
Ball material	PVC-U
Material housing	PVC-U
Material seal	PE/EPDM
Connection	imperial glue socket
Max. temperature	60 °C
Minimum medium temperature (continuous)	0 °C
Pressure	10 bar
Size	1 1/2"

DIMENSIONS

Ct-1 89 mm

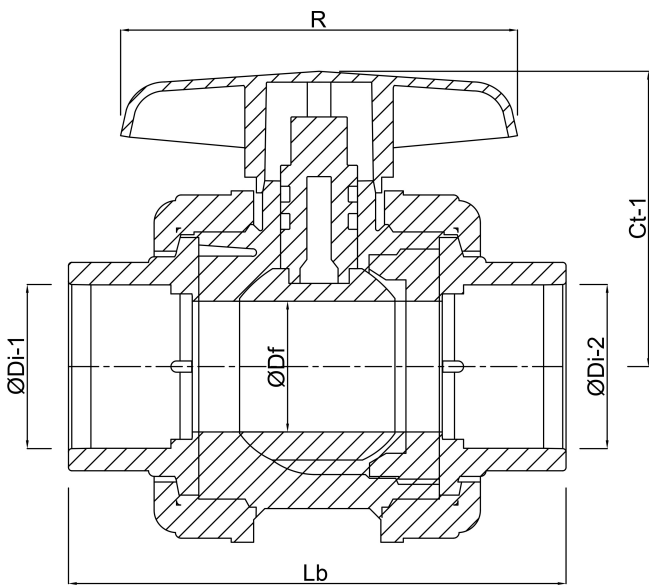
Lb 162 mm

R 125 mm

ØDf 38 mm

ØDi-1 1 1/2 "

ØDi-2 1 1/2 "



Last modified date: 07/03/2026

Bosta UK Ltd.
Reflection House
Olding Road
Bury St. Edmunds

Suffolk
IP33 3TA
T +44 (0) 1284 716580
E enquiries@bosta.co.uk
<http://www.bosta.com>