

**Profec Flange threaded steel
zinc plated DN65 x 2 1/2" DIN
flange x female thread DN65
PN10/16 (1080216)**



TECHNICAL SPECIFICATIONS

Material	steel
Surface treatment	zinc plated
Connection	DIN flange x female thread
DIN Standard	DIN 2566
Flange	PN10/16
Size	DN65 x 2 1/2"
Bolt	M16
DN	65
Diameter	76,1 mm
Outer ø	185 mm
Weight	3.18 kg
Thickness	18 mm
Bolt hole	18 mm
Holes	4

DIMENSIONS

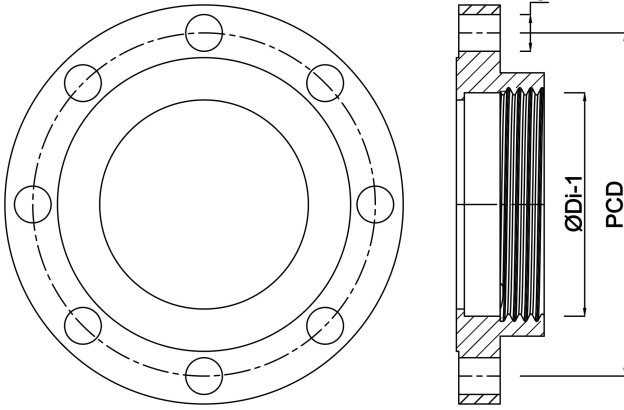
O	18 mm
---	-------

PCD

145 mm

ØDi-1

2 1/2 "



Last modified date: 24/05/2026

Bosta UK Ltd.
Reflection House
Olding Road
Bury St. Edmunds
Suffolk
IP33 3TA
T +44 (0) 1284 716580
E enquiries@bosta.co.uk
<http://www.bosta.com>