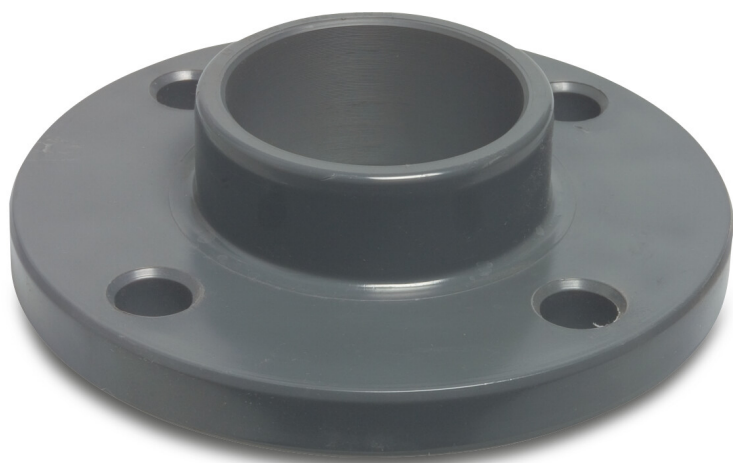


**Profec Flange adaptor PVC-U
DN125 x 140 mm DIN flange x
glue socket 10bar DN125 grey
PN10/16 (0111051)**



TECHNICAL SPECIFICATIONS

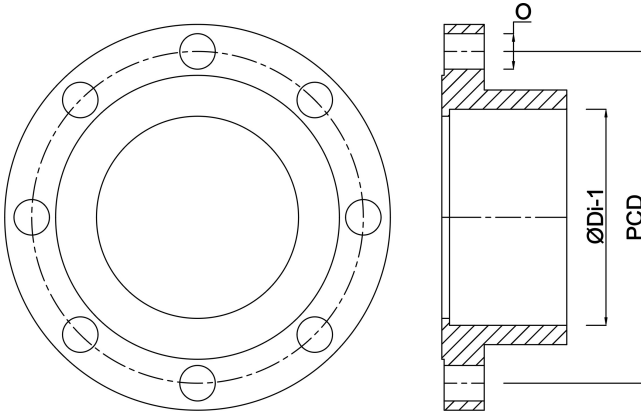
Colour	grey
Material	PVC-U
Connection	DIN flange x glue socket
Size	DN125 x 140 mm
Bolt	M16
DN	125
Flange	PN10/16
Outer ø	250 mm
Weight	1.397 kg
Length bolt	80 mm
Thickness	30 mm
Pressure	10 bar
Bolt hole	18 mm
Holes	8

DIMENSIONS

O	18 mm
---	-------

PCD 210 mm

ØDi-1 140 mm



Last modified date: 13/03/2026

Bosta UK Ltd.
Reflection House
Olding Road
Bury St. Edmunds
Suffolk
IP33 3TA
T +44 (0) 1284 716580
E enquiries@bosta.co.uk
<http://www.bosta.com>