

**Foras Centrifugal pump cast
iron 1 1/4" x 1" female thread
8bar 4,9A 230/400VAC blue
type KM 214 T (0920262)**



TECHNICAL SPECIFICATIONS

Colour blue

Material cast iron

Material impeller 1 brass

Connection female thread

Seal type B

Max. temperature 90 °C

Minimum medium temperature 0 °C
(continuous)

Press 1 "

Maximum ambient temperature 40 °C

Suction 1 1/4 "

Minimum ambient temperature 0 °C

Type KM 214 T

Output Power 2,5 HP

Max. head 46,3 m

Size 1 1/4" x 1"

Length 348 mm

Voltage 230/400VAC

Width 225 mm

Weight 23 kg

Power 185 kW

Height 285 mm

Max flow rate 7.2 m³/h

BEP Capacity 7.2

BEP Head 33

Efficiency 40 %

Packaging dimensions L/W/H 370 x 240 x 315 mm

DIMENSIONS

Cb-1 115 mm

Cl-1 46.5 mm

G-1 180 mm

H 285 mm

H 285 mm

L 348 mm

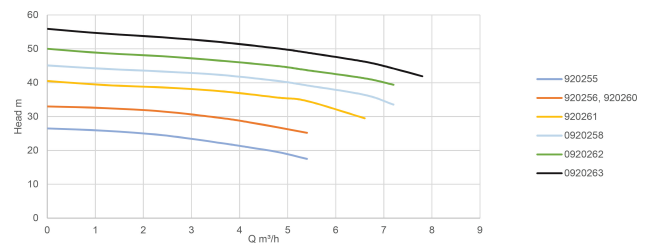
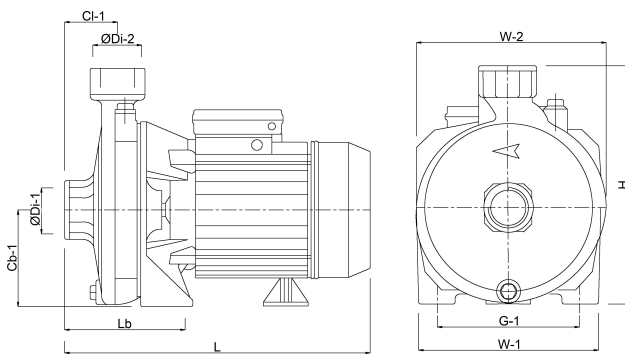
Lb 117 mm

W-1 220 mm

W-2 225 mm

ØDi-1 1 1/4 "

ØDi-2 1 "



PRODUCT INFORMATION

Mechanical seal.

Oversized self-lubricating bearings.

Sealed motor with external cooling.

Electrical winding Class F Condenser - thermo - amperometric safety (only in mono).

The maximum water temperature is 90°C.

Supplied without cable.

Last modified date: 10/07/2026

Bosta UK Ltd.
Reflection House
Olding Road
Bury St. Edmunds
Suffolk

IP33 3TA
T +44 (0) 1284 716580
E enquiries@bosta.co.uk
<http://www.bosta.com>