

**Bend 90° steel 150 mm x 150
mm x 2,0 mm butt welding
(0200606)**



TECHNICAL SPECIFICATIONS

Material steel

Connection butt welding

Wall thickness 2,0 mm

Size 150 mm

DIMENSIONS

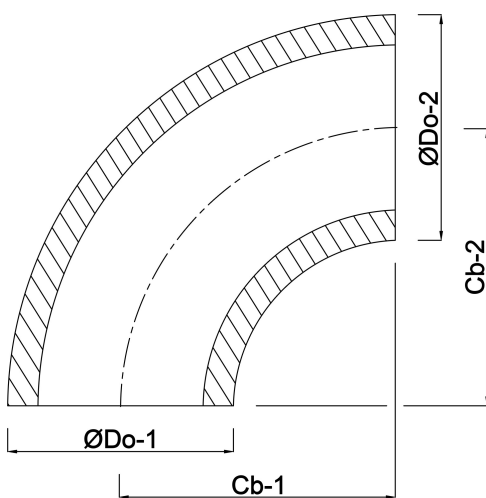
$\varnothing Do-1$ 150 mm

$\varnothing Do-2$ 150 mm

Cb-1 400 mm

Cb-2 400 mm

β 90 °



Last modified date: 05/10/2025

Bosta UK Ltd.
Reflection House
Olding Road
Bury St. Edmunds
Suffolk
IP33 3TA
T +44 (0) 1284 716580
E enquiries@bosta.co.uk
<http://www.bosta.com>