

**Profec Flange PVC-U DN40 x 1  
1/2" DIN flange x female thread  
16bar DN40 grey PN10/16  
(0111164)**

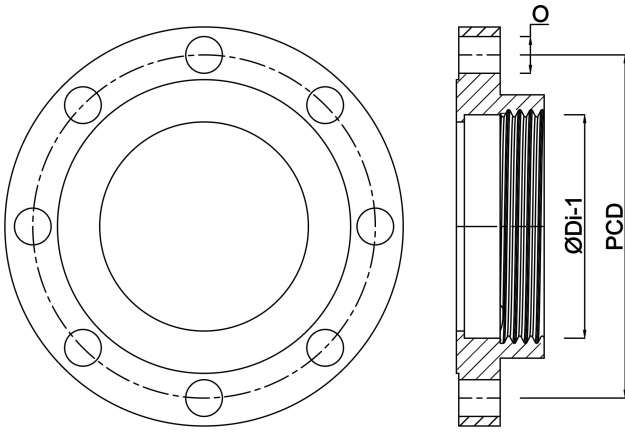


# TECHNICAL SPECIFICATIONS

|            |                            |
|------------|----------------------------|
| Colour     | grey                       |
| Material   | PVC-U                      |
| Connection | DIN flange x female thread |
| Flange     | PN10/16                    |
| Pressure   | 16 bar                     |
| Size       | DN40 x 1 1/2"              |
| DN         | 40                         |
| Outer ø    | 150 mm                     |
| Weight     | 0.281 kg                   |
| Thickness  | 16 mm                      |
| Bolt hole  | 18 mm                      |
| Holes      | 4                          |

## DIMENSIONS

|       |         |
|-------|---------|
| O     | 18 mm   |
| PCD   | 110 mm  |
| ØDi-1 | 1 1/2 " |



**Last modified date: 23/05/2026**

Bosta UK Ltd.  
Reflection House  
Olding Road  
Bury St. Edmunds  
Suffolk  
IP33 3TA  
T +44 (0) 1284 716580  
E [enquiries@bosta.co.uk](mailto:enquiries@bosta.co.uk)  
<http://www.bosta.com>