

Ball valve PVC-U 110 mm glue socket 10bar DN80 grey type 2000 Teflon (0111914)



TECHNICAL SPECIFICATIONS

Colour grey

Type 2000 Teflon

Material PVC-U

Operation lever

Colour lever red

Handle material PVC-U

Housing construction 3-part

Material housing PVC-U

Material seal PTFE/EPDM

Connection glue socket

Temperature range 0°C - 60°C

Pressure 10 bar

Size 110 mm

Type

Length 275 mm

DN 80

DIMENSIONS

Ct-1 165 mm

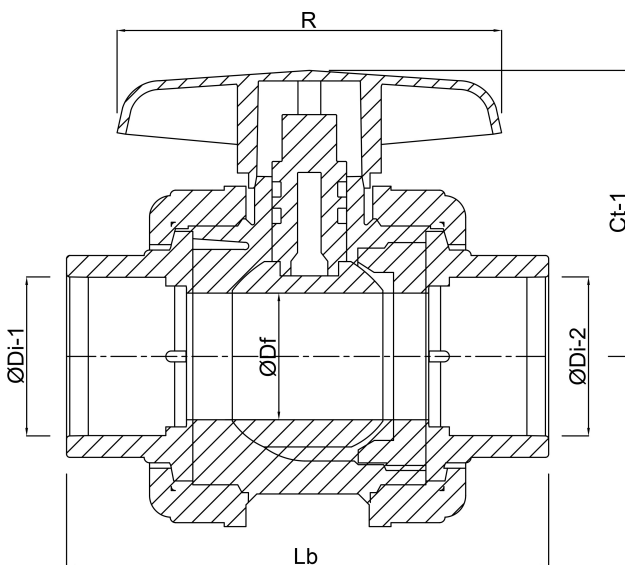
Lb 275 mm

R 215 mm

ØDf 80 mm

ØDi-1 110 mm

ØDi-2 110 mm



Last modified date: 23/05/2026

Bosta UK Ltd.
Reflection House
Olding Road
Bury St. Edmunds
Suffolk

IP33 3TA
T +44 (0) 1284 716580
E enquiries@bosta.co.uk
<http://www.bosta.com>