

**Profec Flange threaded steel
zinc plated DN20 x 3/4" DIN
flange x female thread DN20
PN10/16 (1080211)**



TECHNICAL SPECIFICATIONS

Material	steel
Surface treatment	zinc plated
Connection	DIN flange x female thread
DIN Standard	DIN 2566
Flange	PN10/16
Size	DN20 x 3/4"
Bolt	M12
DN	20
Diameter	26,9 mm
Outer ø	105 mm
Weight	0.91 kg
Thickness	16 mm
Bolt hole	14 mm
Holes	4

DIMENSIONS

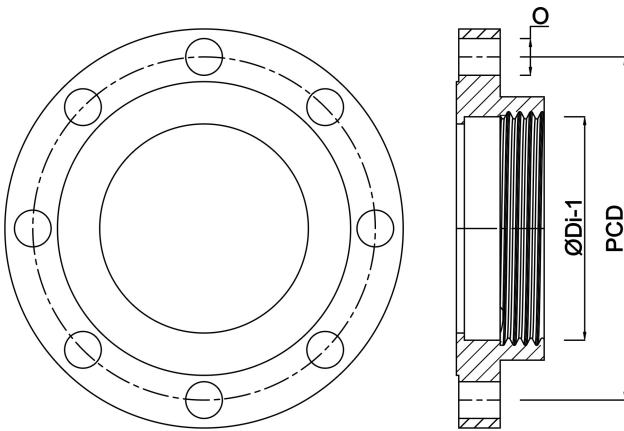
O	14 mm
---	-------

PCD

75 mm

ØDi-1

3/4 "



Last modified date: 24/05/2026

Bosta UK Ltd.
Reflection House
Olding Road
Bury St. Edmunds
Suffolk
IP33 3TA
T +44 (0) 1284 716580
E enquiries@bosta.co.uk
<http://www.bosta.com>