

**Profec Flange threaded steel
zinc plated DN32 x 1 1/4" DIN
flange x female thread DN32
PN10/16 (1080213)**



TECHNICAL SPECIFICATIONS

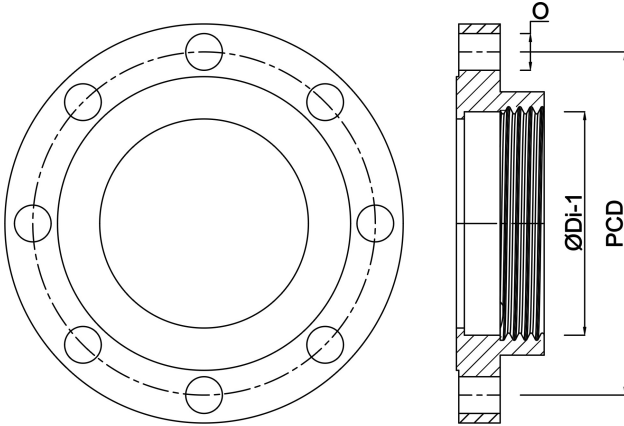
| | |
|-------------------|----------------------------|
| Material | steel |
| Surface treatment | zinc plated |
| Connection | DIN flange x female thread |
| DIN Standard | DIN 2566 |
| Flange | PN10/16 |
| Size | DN32 x 1 1/4" |
| Bolt | M16 |
| DN | 32 |
| Diameter | 42,4 mm |
| Outer ø | 140 mm |
| Weight | 1.6 kg |
| Thickness | 16 mm |
| Bolt hole | 18 mm |
| Holes | 4 |

DIMENSIONS

| | |
|---|-------|
| O | 18 mm |
|---|-------|

PCD 100 mm

ØDi-1 1 1/4 "



Last modified date: 24/05/2026

Bosta UK Ltd.
Reflection House
Olding Road
Bury St. Edmunds
Suffolk
IP33 3TA
T +44 (0) 1284 716580
E enquiries@bosta.co.uk
<http://www.bosta.com>