

**Hydro-S Butterfly valve PVC-U  
160 mm flange 10bar DN150  
grey PN10 type 7500 (7014384)**



  
hydro-s

# TECHNICAL SPECIFICATIONS

Colour grey

Type 7500

Material PVC-U

Operation lever

Colour lever blue

Material valve PVC-U

Material spindle steel

Material housing PP GF

Material seal EPDM

Connection flange

Flange PN10

Temperature range 0°C - 40°C

Size 160 mm

DN 150

Width 66 mm

Pressure 10 bar

Bolt hole 24 mm

## DIMENSIONS

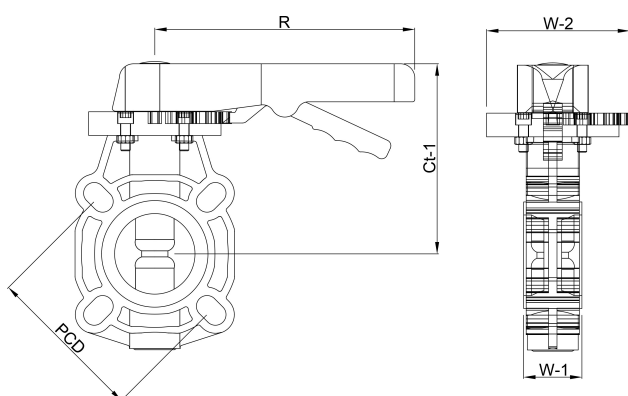
Ct-1 235 mm

PCD 250 mm

R 258 mm

W-1 66 mm

W-2 115 mm



**Last modified date: 25/05/2026**

Bosta UK Ltd.  
Reflection House  
Olding Road  
Bury St. Edmunds  
Suffolk  
IP33 3TA  
T +44 (0) 1284 716580  
E [enquiries@bosta.co.uk](mailto:enquiries@bosta.co.uk)  
<http://www.bosta.com>