

**Flotide Sand filter HDPE 50 mm  
/ 1 1/2" metric/imperial glue  
socket 2,8bar white type  
MFS17 (0182223)**



**FLOTIDE**

# TECHNICAL SPECIFICATIONS

Colour	white
Material	HDPE
Connection	metric/imperial glue socket
Pressure	2,8 bar
Max. temp.	50 °C
Type	MFS17
Capacity	7 m <sup>3</sup> /h
Size	50 mm / 1 1/2"
Diameter	425 mm
Weight	11.2 kg
Sand	40 kg
Filter area	0.14 m <sup>2</sup>
Max flow rate	7 m <sup>3</sup> /h
Max. pool vol.	37.5 m <sup>3</sup>

## DIMENSIONS

A	670 mm
---	--------

B 17 "

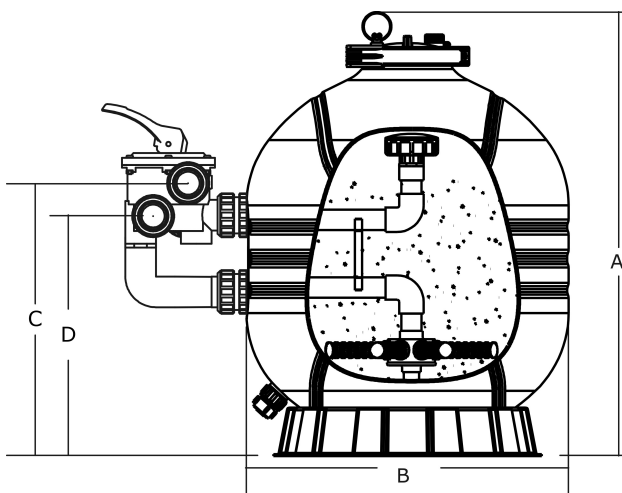
B 17 " inch

B 425 mm

C 417.5 mm

D 354.5 mm

F 417.5 mm



## PRODUCT INFORMATION

Made of premium grade high density polyethylene. The Flotide line offers heavy duty operation and sustains a high working temperature. Only first class virgin high density polyethylene raw materials made by Phillips Chemicals are used in the production of our filters. The unique twist lock is designed for ease of servicing and maintenance of the filter.

- Compact and heavy duty
- Made of high density polyethylene
- Designed for most domestic swimming pools or spa pools

- Easy-to-use bayonet-locked multi-port valve lets you select any of the valve/filter operations with a simple lever-action
- Warranty period: 2 years

**Last modified date: 23/05/2026**

Bosta UK Ltd.  
Reflection House  
Olding Road  
Bury St. Edmunds  
Suffolk  
IP33 3TA  
T +44 (0) 1284 716580  
E [enquiries@bosta.co.uk](mailto:enquiries@bosta.co.uk)  
<http://www.bosta.com>