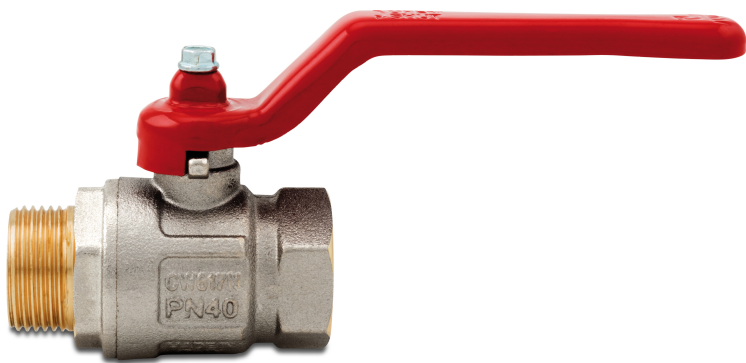


Itap Ball valve brass nickel plated 3/4" female thread x male thread 40bar type 091 (0402334)



TECHNICAL SPECIFICATIONS

Type	091
Material	brass
Surface treatment	nickel plated
Operation	lever
Colour lever	red
Handle material	steel
Housing construction	2-part
Ball material	hard chrome plated brass
Material housing	brass
Material seal	PTFE
Connection	female thread x male thread
Max. temperature	150 °C
Minimum medium temperature (continuous)	-20 °C
Flow	full
Size	3/4"
Pressure	40 bar

DIMENSIONS

Ct-1 55 mm

F-1 12.5 mm

F-2 13.5 mm

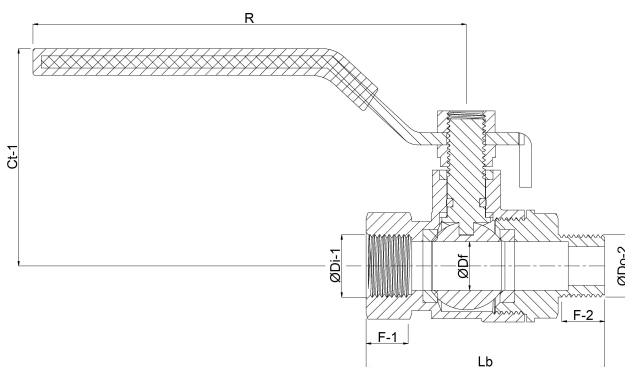
Lb 66,5 mm

R 113 mm

ØDf 20 mm

ØDi-1 3/4 "

ØDo-2 3/4 "



Last modified date: 23/05/2026

Bosta UK Ltd.
Reflection House
Olding Road
Bury St. Edmunds
Suffolk

IP33 3TA
T +44 (0) 1284 716580
E enquiries@bosta.co.uk
<http://www.bosta.com>