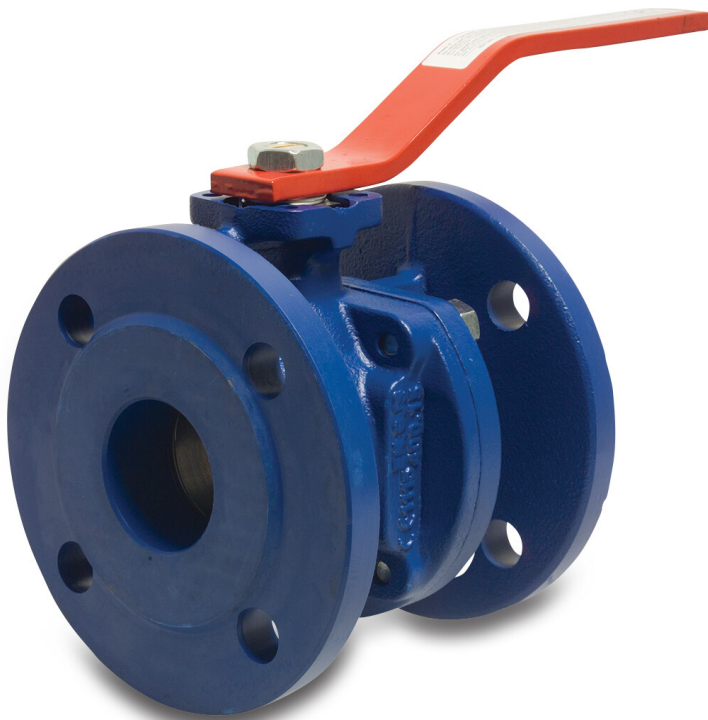


**Profec Ball valve ductile cast  
iron GGG40 varnished DN100  
DIN flange 16bar blue PN10/16  
(0401604)**



# TECHNICAL SPECIFICATIONS

Colour	blue
Material	ductile cast iron GGG40
Surface treatment	varnished
Operation	lever
Colour lever	red
Handle material	steel
Housing construction	2-part
Ball material	brass
Material spindle	brass
Material housing	ductile cast iron GGG40
Material seal	NBR
Connection	DIN flange
Temperature range	-10°C - 100°C
Pressure	16 bar
Size	DN100
Flange	PN10/16
PCD	180 mm

Bolt hole 18 mm

Holes 8

## DIMENSIONS

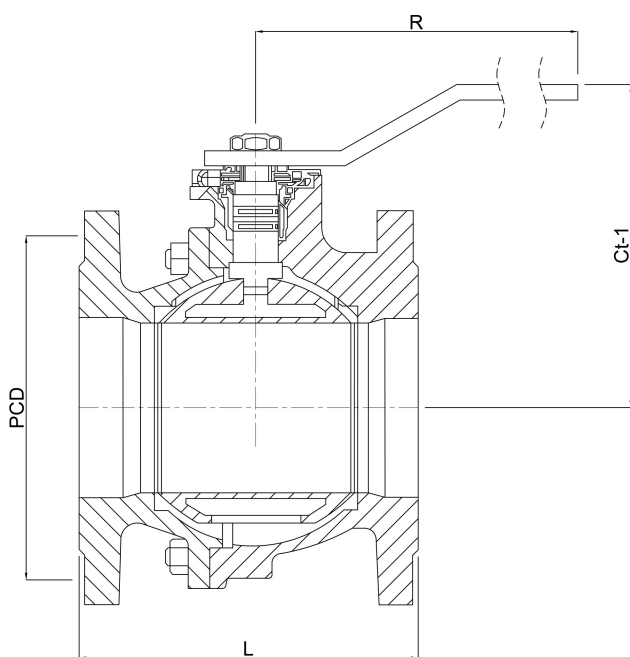
Ct-1 180 mm

Handle height 144

L 190 mm

PCD 180 mm

R 360 mm



**Last modified date: 23/05/2026**

Bosta UK Ltd.  
Reflection House  
Olding Road  
Bury St. Edmunds  
Suffolk  
IP33 3TA  
T +44 (0) 1284 716580  
E [enquiries@bosta.co.uk](mailto:enquiries@bosta.co.uk)  
<http://www.bosta.com>