

VIR Ball valve PP 3/8" female thread 16bar DN10 black type 220 (0401581)



TECHNICAL SPECIFICATIONS

Colour	black
Type	220
Material	PP
Operation	lever
Colour lever	red
Handle material	fibreglass reinforced nylon
Housing construction	1-part
Ball material	hard chrome plated brass
Material housing	PP
Material seal	PTFE
Connection	female thread
Temperature range	0°C - 75°C
Pressure	16 bar
Size	3/8"
DN	10

DIMENSIONS

Ct-1 47 mm

F-1 14 mm

F-2 14 mm

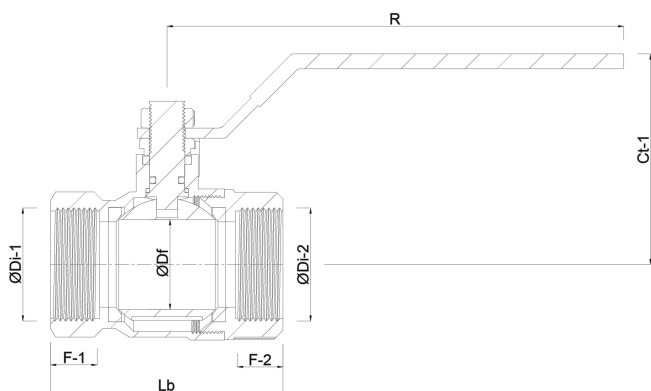
Lb 52 mm

R 85 mm

ØDf 10 mm

ØDi-1 3/8 "

ØDi-2 3/8 "



Last modified date: 07/03/2026

Bosta UK Ltd.
Reflection House
Olding Road
Bury St. Edmunds
Suffolk
IP33 3TA
T +44 (0) 1284 716580
E enquiries@bosta.co.uk
<http://www.bosta.com>