

Praher Ball valve PVC-U 90 mm glue socket 16bar grey type S6 (7016807)



PRAHER
GROUP

TECHNICAL SPECIFICATIONS

Colour grey

Type S6

Material PVC-U

Operation lever

Colour lever red

Handle material PVC-U

Housing construction 3-part

Material housing PVC-U

Material seal PE/EPDM

Connection glue socket

Temperature range 0°C - 60°C

Pressure 16 bar

Size 90 mm

DIMENSIONS

Ct-1 150.5 mm

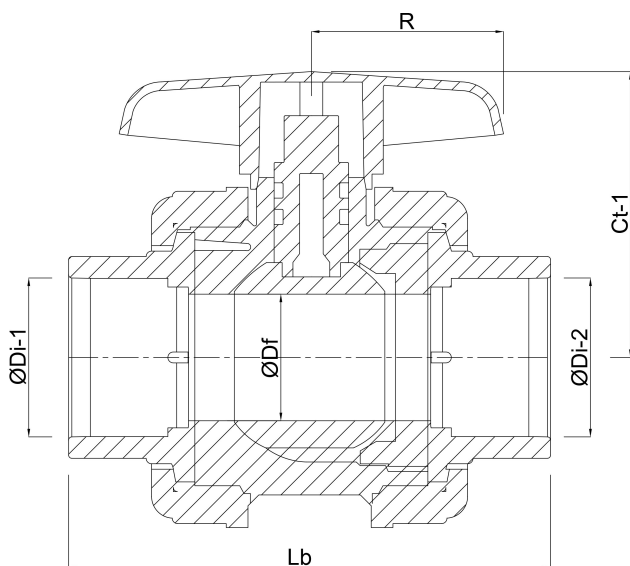
Lb 297 mm

R 133.5 mm

$\varnothing D_f$ 80 mm

$\varnothing D_{i-1}$ 90 mm

$\varnothing D_{i-2}$ 90 mm



Last modified date: 23/05/2026

Bosta UK Ltd.
Reflection House
Olding Road
Bury St. Edmunds
Suffolk
IP33 3TA
T +44 (0) 1284 716580
E enquiries@bosta.co.uk
<http://www.bosta.com>