

**Profec Ball valve brass nickel plated 1 1/2" female thread 5bar DVGW type 107 (0401187)**



# TECHNICAL SPECIFICATIONS

Type	107
Material	brass
Surface treatment	nickel plated
Approval	DVGW
Operation	lever
Colour lever	yellow
Handle material	steel
Housing construction	2-part
Ball material	hard chrome plated brass
Material housing	brass
Material seal	PTFE
Connection	female thread
Flow	full
Temperature range	-20°C - 120°C
Pressure	5 bar
Size	1 1/2"

# DIMENSIONS

Ct-1 72.1 mm

F-1 23 mm

F-2 23 mm

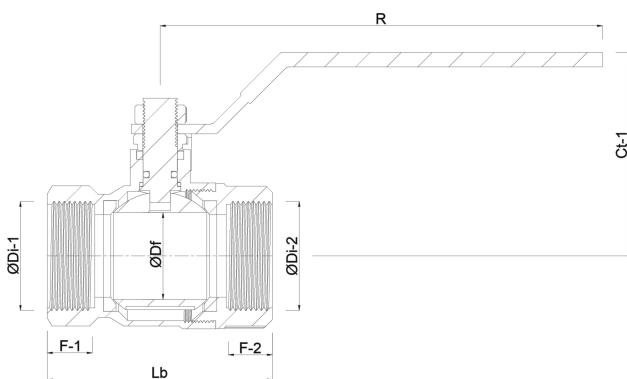
Lb 103,2 mm

R 131.3 mm

ØDf 38.5 mm

ØDi-1 1 1/2 "

ØDi-2 1 1/2 "



# PRODUCT INFORMATION

High pressure full flow ball valve, long threaded. Stainless steel handles available.

**Last modified date: 23/05/2026**

Bosta UK Ltd.  
Reflection House  
Olding Road  
Bury St. Edmunds  
Suffolk  
IP33 3TA  
T +44 (0) 1284 716580  
E [enquiries@bosta.co.uk](mailto:enquiries@bosta.co.uk)  
<http://www.bosta.com>