

# Tefen Dosing pump 3/4" x 10 mm x 3/4" male thread x hose tail x male thread type MixRite 2.5 On/Off 0.3% - 2% (7024290)



# TECHNICAL SPECIFICATIONS

Type MixRite 2.5 On/Off

Material seal NBR

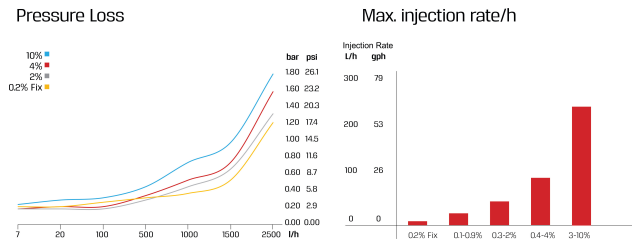
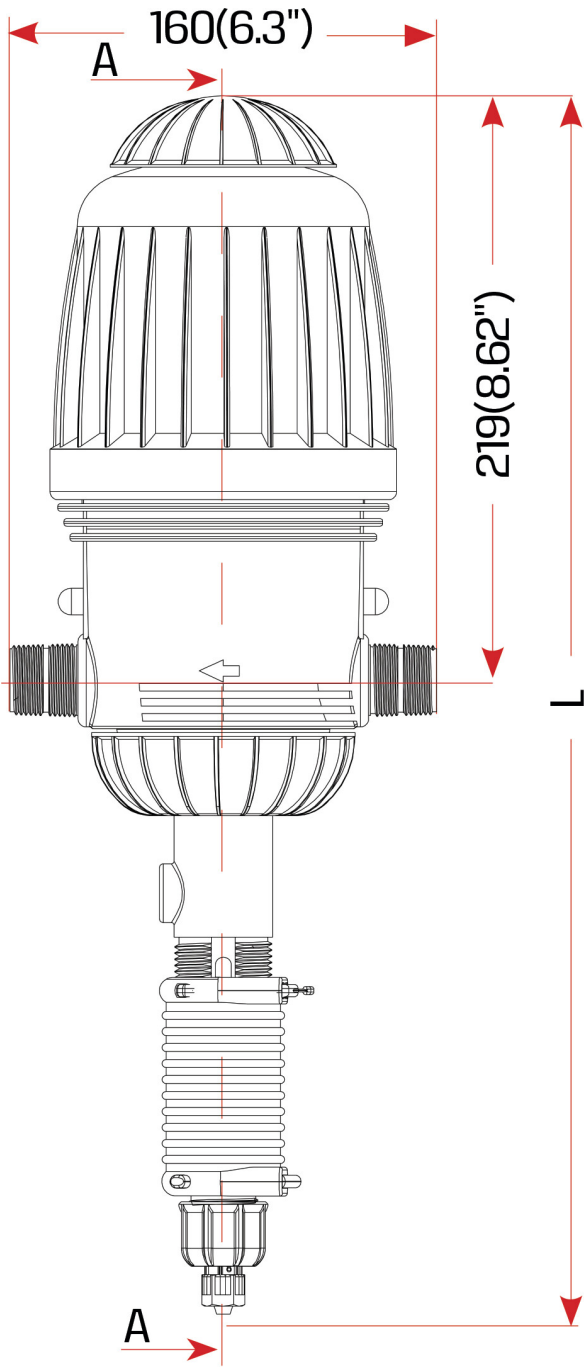
Connection male thread x hose tail x male thread

Flow range 7 - 2500 ltr/h

Size 3/4" x 10 mm x 3/4"

Adjustable mixture 0,3 - 2%

Rec. press. 0.2 - 8.0 bar



		L (Height)	
		On/Off	Air Release
Max.		528 (20.7")	496 (19.5")
Min.		497 (19.5")	457 (17.9")

# PRODUCT INFORMATION

Comes with a suction tube, mounting bracket and a seal kit.

The suction tube length is 1.5m. long.

Use with fertilizer solutions and not with acids.

Refer to our chemical compatibility table in order to select the right model for your application.

**Last modified date: 03/07/2026**

Bosta UK Ltd.

Reflection House

Olding Road

Bury St. Edmunds

Suffolk

IP33 3TA

T +44 (0) 1284 716580

E [enquiries@bosta.co.uk](mailto:enquiries@bosta.co.uk)

<http://www.bosta.com>