

**Profec Nr. 3 Bend 90° stainless steel 316 3/4" male thread 10bar (0080764)**



# TECHNICAL SPECIFICATIONS

Material stainless steel 316

Connection male thread

Fitting nr. Nr. 3

Pressure 10 bar

Size 3/4"

## DIMENSIONS

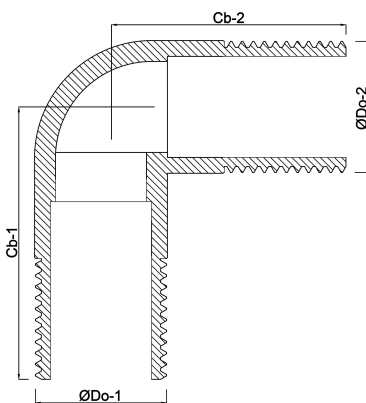
Cb-1 100 mm

Cb-2 100 mm

ØDo-1 3/4 "

ØDo-2 3/4 "

β 90 °



**Last modified date: 13/03/2026**

Bosta UK Ltd.  
Reflection House  
Olding Road  
Bury St. Edmunds  
Suffolk  
IP33 3TA  
T +44 (0) 1284 716580  
E [enquiries@bosta.co.uk](mailto:enquiries@bosta.co.uk)  
<http://www.bosta.com>