

**Profec Flange threaded steel
DN100 x 4" DIN flange x female
thread 16bar black PN10/16
(1180218)**



TECHNICAL SPECIFICATIONS

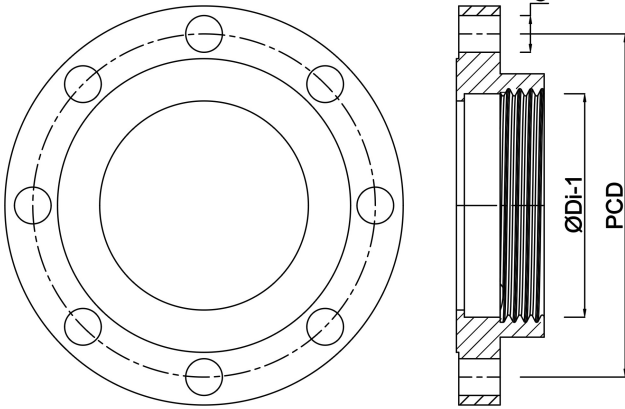
Colour	black
Material	steel
Connection	DIN flange x female thread
DIN Standard	DIN 2566
Flange	PN10/16
Pressure	16 bar
Size	DN100 x 4"
Diameter	114,3 mm
Outer ø	220 mm
Weight	4.38 kg
Height	38 mm
Thickness	20 mm
PCD	180 mm
Bolt hole	18 mm
Holes	8

DIMENSIONS

O 18 mm

PCD 180 mm

ØDi-1 4 "



Last modified date: 24/05/2026

Bosta UK Ltd.
Reflection House
Olding Road
Bury St. Edmunds
Suffolk
IP33 3TA
T +44 (0) 1284 716580
E enquiries@bosta.co.uk
<http://www.bosta.com>