

**Profec Gate valve cast iron GG  
25 varnished DN65 DIN flange  
10bar DN65 black PN10/16  
type 200 (0400762)**



# TECHNICAL SPECIFICATIONS

Colour	black
Type	200
Material	cast iron GG 25
Surface treatment	varnished
Operation	handwheel
Colour lever	black
Handle material	cast iron
Material valve	cast iron
Material spindle	stainless steel
Seat material	brass
Material housing	cast iron GG 25
Material seal	brass
Connection	DIN flange
Max. temperature	100 °C
Flange according to DIN	DIN 2501/PN10
Pressure	10 bar
Size	DN65

Length 170 mm

Flange PN10/16

Outer ø 185 mm

PCD 145 mm

Holes 4

## DIMENSIONS

Construction length din 3352/2c/f4

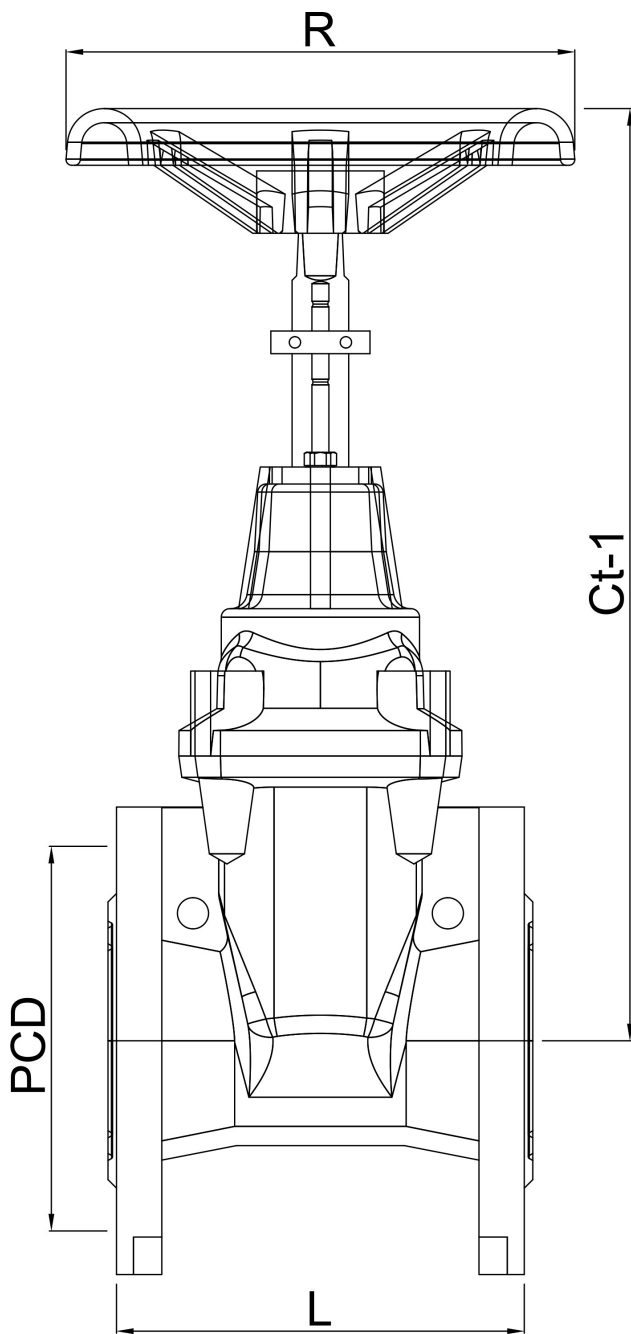
Ct-1 258 mm

L 170 mm

L 170 mm

PCD 145 mm

R 160 mm



**Last modified date: 23/05/2026**

Bosta UK Ltd.  
Reflection House  
Olding Road  
Bury St. Edmunds

Suffolk  
IP33 3TA  
T +44 (0) 1284 716580  
E [enquiries@bosta.co.uk](mailto:enquiries@bosta.co.uk)  
<http://www.bosta.com>