

**Profec Gate valve cast iron GG
25 powder coating DN300 DIN
flange 10bar black PN10 type
200/N (7036478)**



TECHNICAL SPECIFICATIONS

Colour	black
Type	200/N
Material	cast iron GG 25
Surface treatment	powder coating
Operation	handwheel
Colour lever	black
Handle material	cast iron
Material valve	cast iron
Material spindle	stainless steel
Seat material	brass
Material housing	cast iron GG 25
Material seal	metal
Connection	DIN flange
Max. temperature	100 °C
Flange according to DIN	DIN 2501/PN10
Pressure	10 bar
Size	DN300

Flange PN10

PCD 400 mm

Holes 12

DIMENSIONS

Construction length din 3352/2c/f4

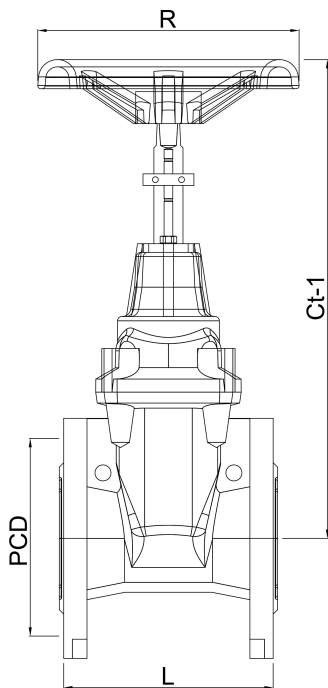
Ct-1 730 mm

L 270 mm

L 270 mm

PCD 400 mm

R 320 mm



PRODUCT INFORMATION

Metal seated cast iron gate valve, non rising stem.

Last modified date: 08/05/2026

Bosta UK Ltd.
Reflection House
Olding Road
Bury St. Edmunds
Suffolk
IP33 3TA
T +44 (0) 1284 716580
E enquiries@bosta.co.uk
<http://www.bosta.com>