

**Profec 2-piece ball valve
stainless steel 316 3/8" female
thread 64bar DIN3202-M3
(7034104)**



TECHNICAL SPECIFICATIONS

Material stainless steel 316

Operation lever

Colour lever blue

Handle material stainless steel

Housing construction 2-part

Material housing stainless steel 316

Material seal PTFE

Connection female thread

Gasket PTFE

DIN Standard DIN3202-M3

Flow full

Temperature range -10°C - 150°C

Pressure 64 bar

Size 3/8"

DIMENSIONS

Ct-1 47 mm

F-1 12.3 mm

F-2 12.5 mm

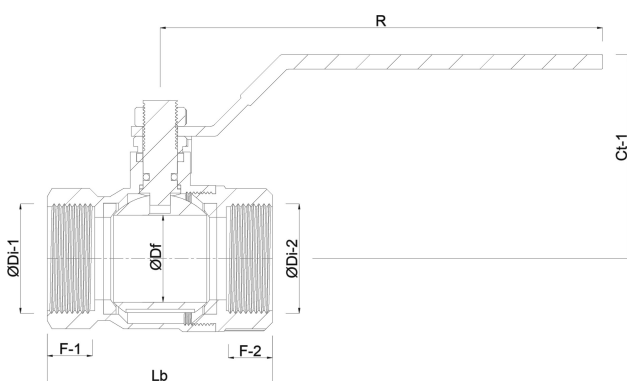
Lb 60 mm

R 100 mm

ØDf 12.5 mm

ØDi-1 3/8 "

ØDi-2 3/8 "



Last modified date: 27/05/2026

Bosta UK Ltd.
Reflection House
Olding Road
Bury St. Edmunds
Suffolk
IP33 3TA
T +44 (0) 1284 716580
E enquiries@bosta.co.uk
<http://www.bosta.com>