

# Profec Ball valve brass nickel plated 3/8" female thread 25bar type 100 (0403001)



# TECHNICAL SPECIFICATIONS

|                   |                          |
|-------------------|--------------------------|
| Type              | 100                      |
| Material          | brass                    |
| Surface treatment | nickel plated            |
| Operation         | lever                    |
| Colour lever      | red                      |
| Handle material   | steel                    |
| Ball material     | hard chrome plated brass |
| Material housing  | brass                    |
| Material seal     | PTFE                     |
| Connection        | female thread            |
| Temperature range | -20°C - 120°C            |
| Pressure          | 25 bar                   |
| Size              | 3/8"                     |

## DIMENSIONS

|      |        |
|------|--------|
| Ct-1 | 42 mm  |
| F-1  | 9.5 mm |

F-2 9.5 mm

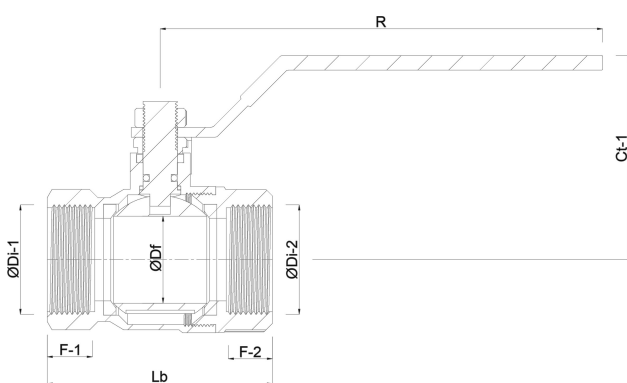
Lb 41.5 mm

R 89 mm

ØDf 10 mm

ØDi-1 3/8 "

ØDi-2 3/8 "



**Last modified date: 23/05/2026**

Bosta UK Ltd.  
Reflection House  
Olding Road  
Bury St. Edmunds  
Suffolk  
IP33 3TA  
T +44 (0) 1284 716580  
E [enquiries@bosta.co.uk](mailto:enquiries@bosta.co.uk)  
<http://www.bosta.com>